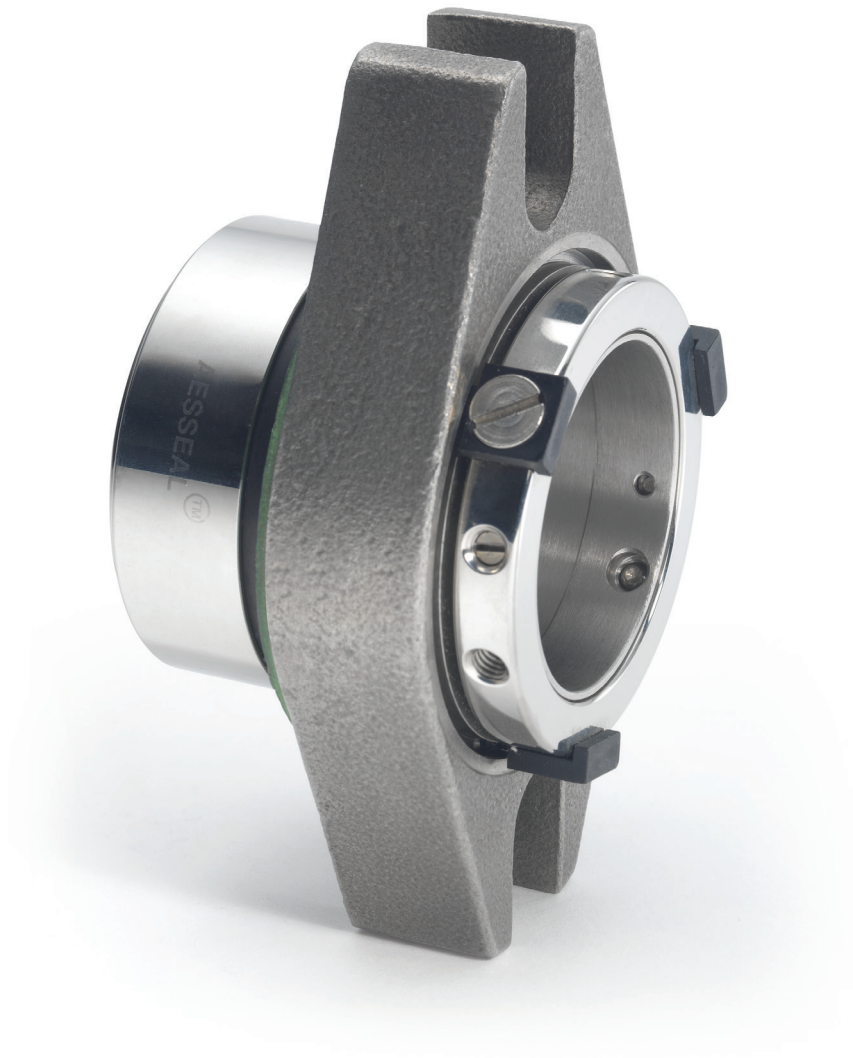


Converter II™

Cartridge Mechanical Seal Designed to
Replace Packing



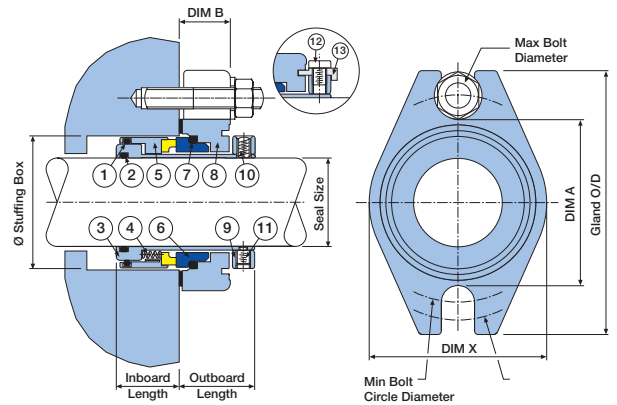
- Balanced seal faces
- Easy to install
- Modern user-friendly design
- Excellent general service seal

Convertor II™ – Technical Information

Convertor II™ – Dimensional Information (inches)

| Seal Size | Gland O/D | DIM A | DIM B | DIM X | Stuffing Box | | Bolt Circle Dia Max | | | Seal Length | | Sleeve Rotary Stationary | | |
|-----------|-----------|-------|-------|-------|--------------|-------|---------------------|-------|----------|-------------|----------|--------------------------|--------|--------|
| | | | | | Min | Max | Min | Max | Bolt Dia | Inboard | Outboard | O Ring | O Ring | O Ring |
| 1.000 | 4.000 | 2.187 | 0.812 | 2.208 | 1.625 | 1.875 | 2.750 | 3.500 | 1/2 | 1.125 | 1.250 | 120 | 125 | 219 |
| 1.125 | 4.125 | 2.312 | 0.812 | 2.333 | 1.750 | 2.000 | 2.875 | 3.625 | 1/2 | 1.125 | 1.250 | 122 | 127 | 221 |
| 1.250 | 4.250 | 2.437 | 0.812 | 2.458 | 1.875 | 2.125 | 3.000 | 3.750 | 1/2 | 1.125 | 1.250 | 124 | 129 | 223 |
| 1.375 | 4.250 | 2.625 | 0.812 | 2.645 | 2.000 | 2.250 | 3.187 | 3.750 | 1/2 | 1.125 | 1.250 | 126 | 131 | 224 |
| 1.500 | 4.500 | 2.812 | 0.875 | 2.833 | 2.250 | 2.500 | 3.375 | 4.000 | 1/2 | 1.125 | 1.312 | 128 | 136 | 226 |
| 1.625 | 4.750 | 2.937 | 0.875 | 2.958 | 2.375 | 2.625 | 3.500 | 4.250 | 1/2 | 1.125 | 1.312 | 130 | 138 | 227 |
| 1.750 | 5.000 | 3.062 | 0.937 | 3.083 | 2.500 | 2.750 | 3.625 | 4.500 | 1/2 | 1.187 | 1.375 | 132 | 140 | 228 |
| 1.875 | 5.250 | 3.187 | 0.937 | 3.207 | 2.625 | 2.875 | 3.750 | 4.750 | 1/2 | 1.187 | 1.375 | 134 | 142 | 229 |
| 2.000 | 5.500 | 3.312 | 1.000 | 3.333 | 2.750 | 3.000 | 4.000 | 4.875 | 5/8 | 1.187 | 1.437 | 136 | 144 | 230 |
| 2.125 | 5.750 | 3.437 | 1.000 | 3.458 | 2.875 | 3.125 | 4.125 | 5.125 | 5/8 | 1.187 | 1.437 | 138 | 146 | 231 |
| 2.250 | 6.500 | 3.750 | 1.000 | 3.895 | 3.000 | 3.375 | 4.562 | 5.750 | 3/4 | 1.187 | 1.437 | 140 | 148 | 232 |
| 2.375 | 6.500 | 3.750 | 1.000 | 3.895 | 3.125 | 3.375 | 4.562 | 5.750 | 3/4 | 1.187 | 1.437 | 142 | 150 | 233 |
| 2.500 | 7.000 | 4.375 | 1.000 | 4.770 | 3.375 | 4.000 | 5.187 | 6.250 | 3/4 | 1.125 | 1.625 | 230 | 234 | 234 |
| 2.625 | 7.000 | 4.375 | 1.000 | 4.770 | 3.500 | 4.000 | 5.187 | 6.250 | 3/4 | 1.125 | 1.625 | 231 | 235 | 235 |
| 2.750 | 7.000 | 4.375 | 1.000 | 4.770 | 3.625 | 4.000 | 5.187 | 6.250 | 3/4 | 1.125 | 1.625 | 232 | 236 | 236 |
| 2.875 | 7.500 | 4.937 | 1.250 | 5.145 | 3.750 | 4.500 | 5.750 | 6.750 | 3/4 | 1.187 | 2.000 | 233 | 237 | 237 |
| 3.000 | 7.500 | 4.937 | 1.250 | 5.145 | 3.875 | 4.500 | 5.750 | 6.750 | 3/4 | 1.187 | 2.000 | 234 | 238 | 238 |
| 3.125 | 7.500 | 4.937 | 1.250 | 5.145 | 4.000 | 4.500 | 5.750 | 6.750 | 3/4 | 1.187 | 2.000 | 235 | 239 | 239 |
| 3.250 | 8.000 | 5.312 | 1.250 | 5.520 | 4.125 | 4.875 | 6.125 | 7.250 | 3/4 | 1.187 | 2.000 | 236 | 240 | 240 |
| 3.375 | 8.000 | 5.312 | 1.250 | 5.520 | 4.250 | 4.875 | 6.125 | 7.250 | 3/4 | 1.187 | 2.000 | 237 | 241 | 241 |
| 3.500 | 8.000 | 5.312 | 1.250 | 5.520 | 4.375 | 4.875 | 6.125 | 7.250 | 3/4 | 1.187 | 2.000 | 238 | 242 | 242 |
| 3.625 | 8.500 | 5.687 | 1.250 | 5.895 | 4.500 | 5.250 | 6.500 | 7.750 | 3/4 | 1.187 | 2.000 | 239 | 243 | 243 |
| 3.750 | 8.500 | 5.687 | 1.250 | 5.895 | 4.625 | 5.250 | 6.500 | 7.750 | 3/4 | 1.187 | 2.000 | 240 | 244 | 244 |
| 3.875 | 8.500 | 5.687 | 1.250 | 5.895 | 4.750 | 5.250 | 6.500 | 7.750 | 3/4 | 1.187 | 2.000 | 241 | 245 | 245 |
| 4.000 | 9.000 | 6.062 | 1.250 | 6.145 | 4.875 | 5.500 | 6.875 | 8.250 | 3/4 | 1.187 | 2.000 | 242 | 246 | 246 |

Factory repair program is available



Convertor II™ – Dimensional Information (mm)

| Seal Size | Gland O/D | DIM A | DIM B | DIM X | Stuffing Box | | Bolt Circle Dia Max | | | Seal Length | | Sleeve Rotary Stationary | | |
|-----------|-----------|-------|-------|-------|--------------|-------|---------------------|-------|----------|-------------|----------|--------------------------|--------|--------|
| | | | | | Min | Max | Min | Max | Bolt Dia | Inboard | Outboard | O Ring | O Ring | O Ring |
| 24 | 101.6 | 55.6 | 20.7 | 56.1 | 40.0 | 48.0 | 69.9 | 88.9 | 12 | 28.6 | 31.8 | 119 | 124 | 218 |
| 25 | 101.6 | 55.6 | 20.7 | 56.1 | 41.0 | 48.0 | 69.9 | 88.9 | 12 | 28.6 | 31.8 | 120 | 125 | 219 |
| 28 | 104.8 | 58.8 | 20.7 | 59.3 | 44.0 | 50.0 | 73.1 | 92.1 | 12 | 28.6 | 31.8 | 122 | 127 | 221 |
| 30 | 108.0 | 61.9 | 20.7 | 62.4 | 46.0 | 54.0 | 76.2 | 95.3 | 12 | 28.6 | 31.8 | 123 | 128 | 222 |
| 32 | 108.0 | 61.9 | 20.7 | 62.4 | 48.0 | 54.0 | 76.2 | 95.3 | 12 | 28.6 | 31.8 | 124 | 129 | 223 |
| 33 | 108.0 | 61.9 | 20.7 | 62.4 | 49.0 | 55.0 | 76.2 | 95.3 | 12 | 28.6 | 31.8 | 125 | 130 | 223 |
| 35 | 108.0 | 66.7 | 20.7 | 67.2 | 51.0 | 59.0 | 81.0 | 95.3 | 12 | 28.6 | 31.8 | 126 | 131 | 224 |
| 38 | 114.3 | 71.5 | 22.3 | 72.0 | 57.2 | 62.0 | 85.8 | 101.6 | 12 | 28.6 | 33.4 | 128 | 136 | 226 |
| 40 | 114.3 | 71.5 | 22.3 | 72.0 | 58.0 | 64.0 | 85.8 | 101.6 | 12 | 28.6 | 33.4 | 129 | 136 | 226 |
| 43 | 120.7 | 74.6 | 22.3 | 75.1 | 61.0 | 67.0 | 88.9 | 108.0 | 12 | 28.6 | 33.4 | 131 | 138 | 227 |
| 45 | 127.0 | 77.8 | 23.8 | 78.3 | 63.5 | 69.0 | 92.1 | 114.3 | 12 | 30.2 | 35.0 | 132 | 140 | 228 |
| 48 | 133.4 | 81.0 | 23.8 | 81.5 | 66.7 | 72.0 | 95.3 | 120.7 | 12 | 30.2 | 35.0 | 134 | 142 | 229 |
| 50 | 133.4 | 81.0 | 23.8 | 81.5 | 68.0 | 74.0 | 95.3 | 120.7 | 12 | 30.2 | 35.0 | 136 | 142 | 229 |
| 53 | 139.7 | 84.2 | 25.4 | 84.7 | 71.0 | 77.0 | 101.6 | 123.9 | 16 | 30.2 | 36.5 | 138 | 144 | 230 |
| 55 | 146.1 | 87.3 | 25.4 | 87.8 | 74.0 | 79.0 | 104.8 | 130.2 | 16 | 30.2 | 36.5 | 139 | 146 | 231 |
| 58 | 165.1 | 95.3 | 25.4 | 98.9 | 79.4 | 85.7 | 115.9 | 146.0 | 20 | 30.2 | 36.5 | 140 | 148 | 232 |
| 60 | 165.1 | 95.3 | 25.4 | 98.9 | 79.4 | 85.7 | 115.9 | 146.0 | 20 | 30.2 | 36.5 | 142 | 150 | 233 |
| 63 | 177.8 | 111.2 | 25.4 | 121.2 | 85.8 | 101.6 | 131.8 | 158.7 | 20 | 28.6 | 41.2 | 230 | 234 | 234 |
| 65 | 177.8 | 111.2 | 25.4 | 121.2 | 88.9 | 101.6 | 131.8 | 158.7 | 20 | 28.6 | 41.2 | 231 | 235 | 235 |
| 68 | 177.8 | 111.2 | 25.4 | 121.2 | 92.1 | 101.6 | 131.8 | 158.7 | 20 | 28.6 | 41.2 | 232 | 236 | 236 |
| 70 | 177.8 | 111.2 | 25.4 | 121.2 | 92.1 | 101.6 | 131.8 | 158.7 | 20 | 28.6 | 41.2 | 232 | 236 | 236 |
| 75 | 190.5 | 125.4 | 31.7 | 130.7 | 98.5 | 114.3 | 146.1 | 171.4 | 20 | 30.2 | 50.8 | 234 | 238 | 238 |
| 80 | 190.5 | 125.4 | 31.7 | 130.7 | 101.6 | 114.3 | 146.1 | 171.4 | 20 | 30.2 | 50.8 | 235 | 239 | 239 |
| 85 | 203.2 | 135.0 | 31.7 | 140.2 | 108.0 | 123.8 | 155.6 | 184.1 | 20 | 30.2 | 50.8 | 237 | 241 | 241 |
| 90 | 215.9 | 144.5 | 31.7 | 149.7 | 114.3 | 133.3 | 165.1 | 196.8 | 20 | 30.2 | 50.8 | 239 | 243 | 243 |
| 95 | 215.9 | 144.5 | 31.7 | 149.7 | 117.5 | 133.3 | 165.1 | 196.8 | 20 | 30.2 | 50.8 | 240 | 244 | 244 |
| 100 | 228.6 | 154.0 | 31.7 | 156.1 | 123.9 | 139.7 | 174.7 | 209.5 | 20 | 30.2 | 50.8 | 242 | 246 | 246 |

Factory repair program is available

| Item | Description | Material |
|------|--------------------|-----------------------------------|
| 1 | Rotary O Ring | Viton®/ EPR*/ Aflas** / Kalrez®* |
| 2 | Sleeve O Ring | Viton®/ EPR*/ Aflas** / Kalrez®* |
| 3 | Sleeve | 316L Stainless Steel |
| 4 | Springs | Alloy 276 |
| 5 | Rotary Face | 316L SS - Carbon / TC* / SiC* |
| 6 | Stationary Face | †Ceramic / TC / SiC |
| 7 | Stationary O Ring | Viton®/ EPR* / Aflas** / Kalrez®* |
| 8 | Gland | 316 Stainless Steel |
| 9 | Clamp Ring | 316L Stainless Steel |
| 10 | Drive Screws | Stainless Steel |
| 11 | Anti-Tamper Screws | Stainless Steel |
| 12 | Clip Screws | Stainless Steel |
| 13 | Setting Clips | Hard Plastic |

*Available to order only

†Not available in all sizes. Contact AESSEAL® for more information

This document is designed to provide dimensional information and an indication of availability. For further information and safe operating limits contact our technical specialists at the locations below.



Use double mechanical seals with hazardous products.

Always take safety precautions:

WARNING

- Guard your equipment
- Wear protective clothing

UK Sales & Technical advice:
 AESSEAL plc
 Mill Close
 Bradmarsh Business Park
 Rotherham
 S60 1BZ
 United Kingdom

Tel: +44 (0) 1709 369966
 Fax: +44 (0) 1709 720788
 E-mail: seals@aes seal.com

Distributed by:

'Our purpose is to give our customers such exceptional service that they need never consider alternative sources of supply.'

www.aes seal.com

USA Sales & Technical advice:
 AESSEAL Inc.
 355 Dunavent Drive
 Rockford
 TN. 37853
 USA

Tel: +1 865 531 0192
 Fax: +1 865 531 0571
 E-mail: usa@aes seal.com

Important: Since the conditions and methods of use of this product are beyond our control, AESSEAL plc expressly disclaims any and all liability resulting or arising from any use of this product or reliance on any information contained in this document - AESSEAL plc standard conditions of sale apply. All sizes are subject to manufacturing tolerances. We reserve the right to modify specifications at any time. AESSEAL® is a Registered Trademark of AESSEAL plc, AESSEAL plc recognizes all trademarks and trademark names as the property of their owners.