

SMART TRACK[®]

Designed to track and maintain a constant differential with fluctuations in process pressure



Features

- Self regulating
- Quick response
- Simplicity
- Factory set
- Ergonomic

Benefits

- Tracks pressure to maintain an optimum double seal environment
- Transient and upset conditions handled with ease
- A compact alternative to complex seals & systems
- No operator intervention required. Unit is supplied pre-set
- Simple in line connections and mounting

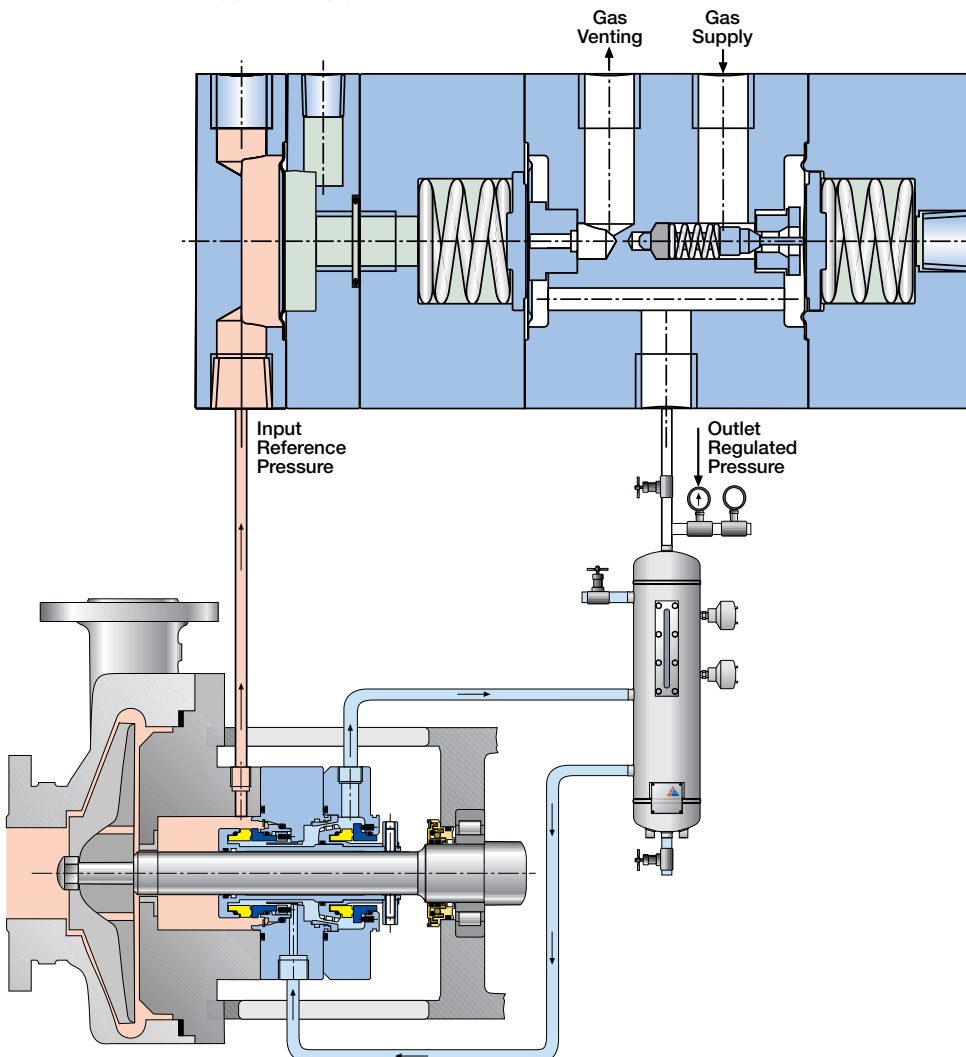


SMART TRACK®

Designed to track and maintain a constant differential with fluctuations in process pressure.

Patent pending isolating pressure tracking valve that will maintain a positive differential pressure between a reference input pressure (seal chamber / vessel pressure) and an output pressure (typically API Plan 53A) with the connection of a suitable supply (Typically nitrogen at a pressure greater than maximum operating barrier pressure). The device has an integrated isolation unit that will provide a physical barrier between product (seal chamber / vessel fluid) and the device.

Smart Track® Typical Application



A unique & simple solution designed to maximize mechanical seal reliability through optimized barrier fluid pressure control.

Specifications

Typical Duties:

- Double Seal Barrier fluid support systems
- Seal Chamber pressures from -1 barg to 42 barg (-14.5 to 415 psig)
- Valve temperatures 4° to 80°C (39° to 176°F)
- Operating pressure differential circa 2 bar (30 psi) or circa 4 bar (60 psi)
- Size: L 6.9" (175mm) x Ø3.0" (75mm)
- Connections: Supply, Output, Vent, Reference I/P = ¼ NPT
- Weight: 5.5Kg (12.2lb)
- Mounting: 2 x M8 (Orientated 90° to Ports)

Wetted Materials:

- Diaphragm: Alloy X750
- Bias Spring: 316 Stainless Steel
- Body, End Caps etc: 316L Stainless Steel
- Isolator: 316 Stainless Steel
- Isolator transfer fluid: Ethylene Glycol other fluids are available

Key Features:

- Rapid response to changes in input reference (seal chamber) pressure
- Dynamic Pressure differential maintained during rapid pressure transients
- Integrated isolation unit
- Minimal external connections
- Capable of operating in vacuum conditions

Technical Data:

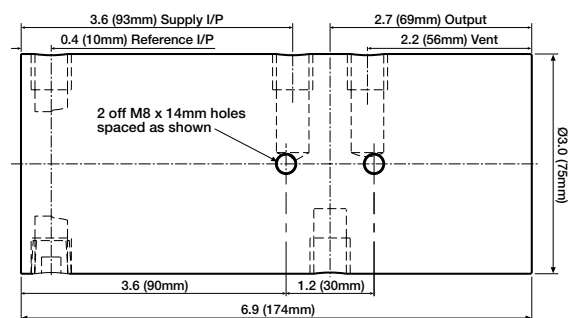
Supply Inlet Pressure Max: 46 barg (675 psig)

Reference (Seal Chamber / Vessel) Max: 42 barg (615 psig)

Pressure differential transients (Reference to Output): 1– 8 bar (14.5 – 120 ps)

Maximum rate of input pressure change: 13 bar/s (190 psi/s)*

Supply consumption: Application dependent consult AESSEAL® technical department



* Pressurised system volume of 10 Litre (2.64 Gallon US) @ 20°C (68°F), nominal 2 bar (30 psi) differential.



Our purpose is to give our customers such exceptional service that they need never consider alternative sources of supply.

	AESSEAL plc, Rotherham, UK	Tel: +44 (0) 1709 369966	rotherham@aesseal.com
	AESSEAL plc, Derby, UK	Tel: +44 (0) 1332 366738	derby@aesseal.co.uk
	AESSEAL plc, Middlesbrough, UK	Tel: +44 (0) 1642 245744	northops@aesseal.co.uk
	AESSEAL plc, Upminster, UK	Tel: +44 (0) 1708 256600	se@aesseal.co.uk
	AESSEAL plc, Pontypridd, UK	Tel: +44 (0) 1443 844330	pontry@aesseal.co.uk
	AESSEAL (MCK) Ltd, Lisburn, UK	Tel: +44 (0) 28 9266 9966	salesmck@aesseal.co.uk
	AESSEAL Ireland Ltd, Lisburn, UK	Tel: +44 (0) 28 9266 9966	sales.ireland@aesseal.co.uk
	AESSEAL Ireland Ltd, Co Cork, Eire	Tel: +353 (0) 214 633477	sales.ireland@aesseal.com
	AESSEAL Inc. Rockford, TN, USA	Tel: +1 865 531 0192	usa@aesseal.com
	AESSEAL Inc. Kingsport, TN, USA	Tel: +1 423 224 7682	kportadmin@aesseal.com
	AESSEAL Inc. Marion, IA, USA	Tel: +1 319 377 0170	midwest@aesseal.com
	AESSEAL Inc. Fairfield, ME, USA	Tel: +1 207 453 6915	neadmin@aesseal.com
	AESSEAL Inc. Longview, WA, USA	Tel: +1 360 414 0118	nwadmin@aesseal.com
	AESSEAL ALAA, Jubail, Saudi Arabia	Tel: +966 3 361 7461	info@aesseal.com.sa
	AESSEAL COJ sarl, Alger, Algeria	Tel: +213 (0)555 033247	contact@aescoj-dz.com
	AESSEAL Argentina SA, Buenos Aires, Argentina	Tel: +54 11 4744 7554	aesseeal@aesseal.com.ar
	AESSEAL Australia Pty Ltd, Seventeen Mile Rocks, Australia	Tel: +61 7 32791144	customer.service@aesseal.net.au
	AESSEAL Benelux BV, Breda, Holland	Tel: +31 (0) 76 564 9292	seals@aesseal.nl
	AESSEAL Brasil Ltda, São Paulo, Brazil	Tel: +55 11 5891 5878	aesseealbrasil@aesseal.com.br
	AESSEAL Canada Inc, Surrey, B.C., Canada	Tel: +1 604 535 7512	canada@aesseal.com
	AESSEAL Chile SA, Providencia Santiago, Chile	Tel: +56 2 2343022	aesseeal@aesseal.cl
	AESSEAL China Ltd, Ningbo, China	Tel: +86 (0) 574 8823 2888	service@aesseal.com.cn
	AESSEAL China Ltd. Shanghai, China	Tel: +86 (0) 21 60761081	service@aesseal.com.cn
	AESSEAL China Ltd. Nanjing, China	Tel: +86 (0) 25 68139838	service@aesseal.com.cn
	AESSEAL China Ltd. Dalian, China	Tel: +86 (0) 411 83729851	service@aesseal.com.cn
	AESSEAL Colombia S.A., Bogota, Colombia	Tel: +57 (1) 634 9095	info@aesseal.com.co
	AESSEAL Czech sro, Brno, Czech Republic	Tel: +420 543 212 489	aesseeal@aesseal.cz
	AESSEAL Danmark, A/S, Koge, Denmark	Tel: +45 56 64 14 00	mail@aesseal.dk
	AESSEAL Deutschland AG, Kronau, Germany	Tel: +49 (0) 7253 8090	info@aesseal.de
	AESSEAL Deutschland AG, Sauerlach, Germany	Tel: +49 (0) 8104 639607	info@aesseal.de
	AESSEAL Finland OY, Muurame, Finland	Tel: +358 1433 84500	aesseeal@aesseal.fi
	AESSEAL France SAS, Nieppe, France	Tel: +33 320 172850	contact@aesseal.fr
	AESSEAL India Pvt. Ltd, Pune, India	Tel: +91 2113 302222	aesseeal@aesseal.in
	AESSEAL India Pvt. Ltd, Chennai, India	Tel: +91 44 2481 7786	chennai@aesseal.in
	AESSEAL Coldweld Pvt. Ltd, Vasai (East), Thane, India	Tel: +91 250 645 6884	mail@aescoldweld.com
	AESSEAL Italia Srl, Gallarate, Italy	Tel: +39 0331 799 952	info@aesseal.it
	AESSEAL Malaysia, SDN BHD, Selangor, Malaysia	Tel: +603 806 21233	aesseeal@tm.net.my
	AESSEAL Malaysia, SDN BHD, Pahang, Malaysia	Tel: +609 583 6133	aesseeal@tm.net.my
	AESSEAL Malaysia, SDN BHD, Johor, Malaysia	Tel: +607 388 8323	aesseeal@tm.net.my
	AESSEAL Mexico, S de RL de CV, Mexico City, Mexico	Tel: +52 5553845070	info@aessealmx.com
	AESSEAL Middle East FZE, Dubai, U.A.E.	Tel: +9714 884 9301	sales@aesseeal.ae
	AESSEAL NA (Nord Afrique), Paris, France	Tel: +33(0)1 39 72 82 63	na.info@aesseeal.com
	AESSEAL Norway AS, Oslo, Norway	Tel: +47 2273 6849	info@aesseeal.no
	AESSEAL Polska Sp. z O.O. Bielsko-Biala, Poland	Tel: +48 33 818 4135	aesseeal@aesseeal.com.pl
	AESSEAL Univeda LDA, Lisbon, Portugal	Tel: +351 217 969212	geral@aesseeal.pt
	AESSEAL Russia, Koroliov City, Moscow, Russia	Tel: +7 495 777 4011	info@aesseeal.ru
	AESSEAL Pty Ltd, Durban, South Africa	Tel: +27 (0) 31 903 5438	durban@aesseeal.co.za
	AESSEAL Pty Ltd, Johannesburg, South Africa	Tel: +27 (0) 11 466 6500	admin@aesseeal.co.za
	AESSEAL Ibérica SL, Tarragona, Spain	Tel: +34 977 55 43 30	info@aesseeal.es
	AESSEAL Sweden AB, Stockholm, Sweden	Tel: +46 (0) 8 55602870	kundservice@aesseeal.se
	AESSEAL Vo Lee Ltd, Kaohsiung County, Taiwan	Tel: +886 7 371 3990	aesseeal.volee@msa.hinet.net
	AESSEAL Turkiye, Istanbul, Turkey	Tel: +90 (0) 216 304 0237	info@aesseeal.com.tr
	AESSEAL Uruguay, Montevideo, Uruguay	Tel: +598 2 924 7252	sealteplc@aesseeal.com.uy

Experience the exceptional – contact your local representative to see how we can help you. Full details at:

www.aesseeal.com