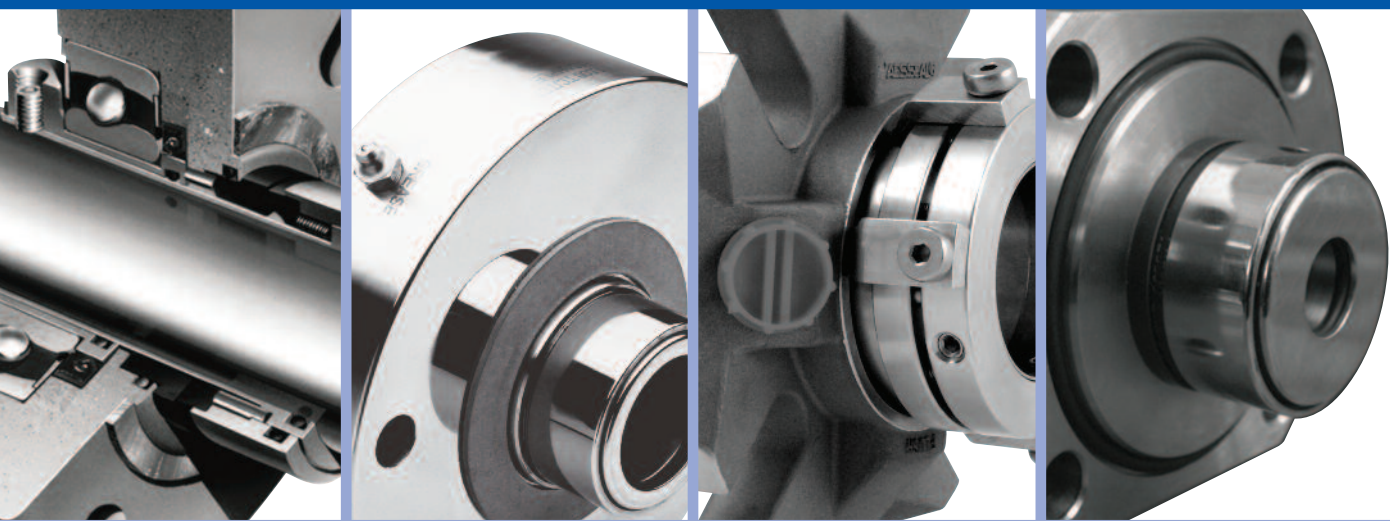


basic mixer cartridge seal range



- **BALANCED SEAL FACE DESIGN**
- **MODULAR DESIGN**
- **NO SHAFT FRETTING**
- **BALANCED SEAL FACES**
- **NON-CLOGGING ROTARIES**

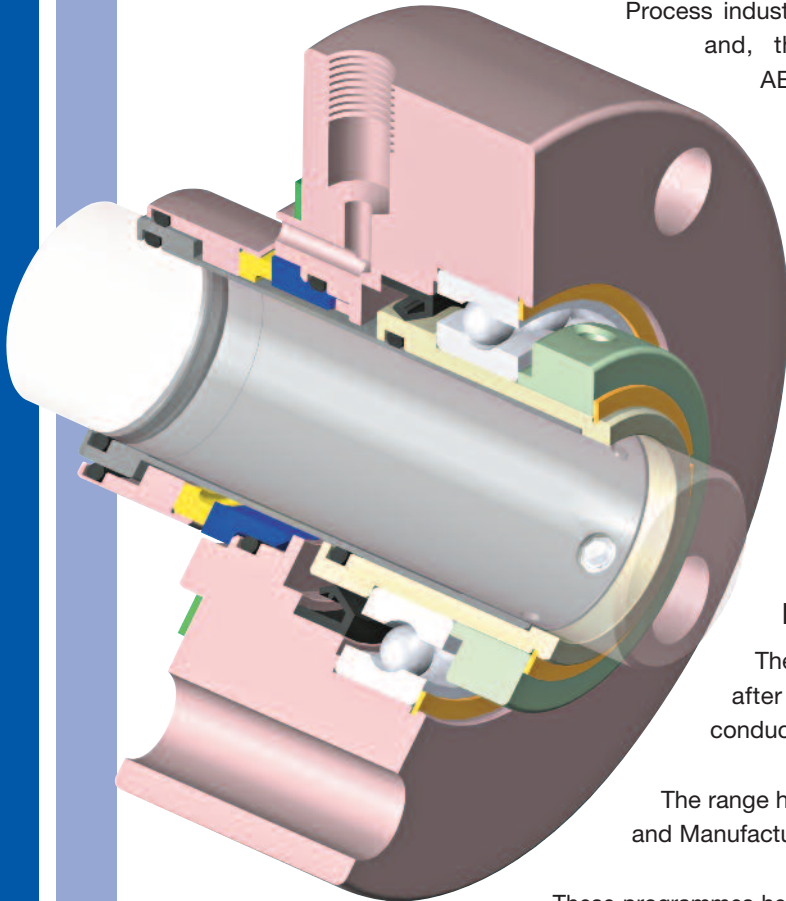
Basic Mixer Cartridge Seal Ranges

This brochure covers the range of AESSEAL® basic Mixer cartridge seals designed for Mixers, Agitators and Reactors. This range has been designed to accept and accommodate the prevalent conditions in mixing and associated applications.

Mixer, Agitator and Reactor applications vary from simple blending or solid dissolution to the more exacting standards of solids suspension, gas dispersion or containing/promoting chemical reactions.

The basic mixer range covers unit seals, cartridge seals, non-metallic seals and seals with and without bearings.

Mixers are used in the Food, Beverage and Pharmaceutical industries, yet generally the Chemical and Process industries have the most varied and difficult mixer problems and, therefore, require precise sealing technology. The AESSEAL® mixer seal range ensures that the most demanding applications can be accommodated.



Computer Generated
Mixmaster I™
(CSWIB™ Type C)
3D Model

Advanced Mixer Cartridge Seal Range

AESSEAL® also produce a Mixmaster brochure for the top end of the range which have high load carrying capabilities. We also produce a Mixer, Agitator & Reactor seal range booklet which incorporates more specialized seals for this industry as well as in depth case histories of seals.

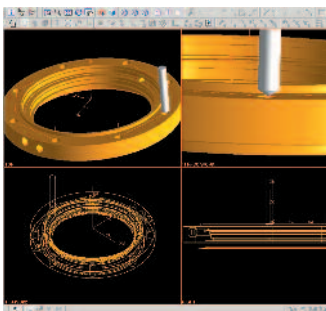
For more information these brochures can be downloaded from the AESSEAL® website at www.aesseal.com.

Development Background

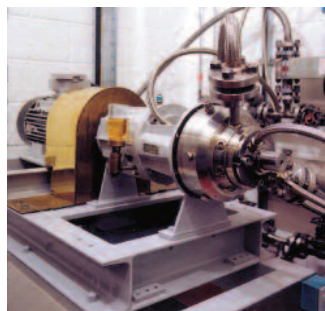
The AESSEAL® Mixmaster range has been developed only after extensive performance and field evaluation tests, conducted over many years.

The range has been created using the latest Computer Aided Design and Manufacture programmes including Finite Element Analysis.

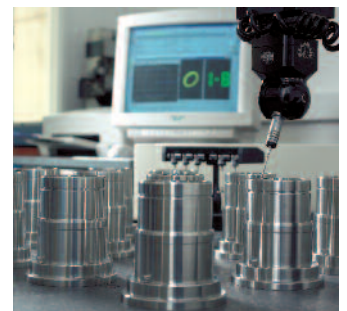
These programmes help to predict how the seals can be produced and also how they will perform under various application conditions. This technology has vastly reduced the lead time for product development and thus reduced the overall cost of the seal range.



Massive investment in Computer Aided Design, Manufacture and PDM (Product Data Management) helps to ensure that the seal is fit for the purpose.



Computer simulation is very effective for evaluating seal performance, however, all AESSEAL® mechanical seals still have to undergo physical testing in various hazardous conditions.



Investment in inspection facilities which include the latest Co-ordinate Measuring Machines (CMM) allow computer controlled inspection for all AESSEAL® designs. The result is an industry leading range of mechanical seals.

ESM™ - External Seal for Mixers



The AESSEAL® ESM™ is a unit external seal designed for ease of installation as the faces are clipped together and despatched assembled in a leak free state.

The standard ESM™ seal is driven through socket set screw clamping, with a Carbon/Ceramic seal face combination and a gland which is designed to suit the customer's equipment.

All wetted parts are non-metallic, therefore, the seal is ideally suited for corrosive vapour applications commonly found in Top Entry Mixers.

- **Balanced seal face design**
- **Modular design**
- **Unit designed for ease of installation**
- **ESM™, ESCM™, ESTM™, ESCTM™ non-metallic wetted design**
- **NCM™ non-chemical design**
- **Springs out of product**
- **Seal flange manufactured to suit equipment**



ESM™
External Seal for Mixers

Sizes Available	1.000" to 2.500"	25mm to 63mm
------------------------	------------------	--------------

NCM™
Non-Chemical for Mixers

Sizes Available	1.000" to 5.000"	24mm to 125mm
------------------------	------------------	---------------

ESTM™
External Seal Teflon for Mixers

Sizes Available	1.000" to 2.500"	25mm to 63mm
------------------------	------------------	--------------

Designed for ease of installation the ESM™ has non-metallic wetted parts and is therefore ideally suited for corrosive vapour applications commonly found in Top Entry Mixers.

The NCM™ is an external seal unit designed for ease of installation, as the faces are clipped together and despatched assembled in a leak free state. Some wetted parts are metallic, therefore the seal is unsuited for some severe corrosive applications.

A sister variant on the ESM™, the ESTM™ replaces the Carbon/Ceramic face combination with Teflon (P.T.F.E.)/Ceramic, for applications where Carbon is not compatible with the process fluid.

ESCM™
External Seal Colleted for Mixers

Sizes Available	1.000" to 2.500"	25mm to 63mm
------------------------	------------------	--------------

Buffer Canister™ Option

Buffer Canister™ option available on ESM™ - NCM™ - ESTM™ - ESCM™ - ESCTM™

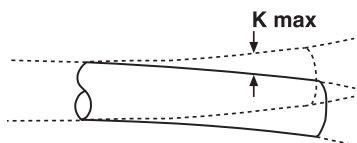
ESCTM™ - External Seal Colleted Teflon for Mixers

Sizes Available	1.000" to 2.500"	25mm to 63mm
------------------------	------------------	--------------

The ESCM™ employs the same seal principles as the ESM™ except for the clamping device. The ESCM™ utilises a collet clamp ring making the unit particularly applicable to hard and soft shafts.

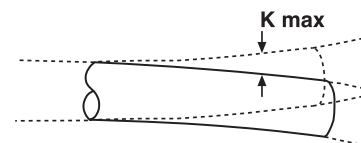
The buffer canister option is available on both the ESM™ and NCM™ range of unit seals. The simple design can be of an open or closed top construction and slides over the external seal. An O-ring is then placed in the clip groove to prevent leakage. The fluid in the canister "bathes" the seal faces and therefore is applicable for the dry running applications which are commonly found in top entry mixers.

A hybrid unit seal of the previous options. The ESCTM™ offers a Teflon/Ceramic face combination, collet clamping and gland designed to suit the customer's equipment. All wetted parts are non-metallic.



ESM™ - ESCM™ - ESTM™ - ESCTM™	
Seal Size	T.I.R. (K max)
1.000" to 1.500"	0.030"
25mm to 38mm	0.8mm
1.625" to 2.500"	0.040"
40mm to 63mm	1.0mm

Seal Type	Face Availability	Drive
ESM™	CAR - CER	Standard
ESCM™	CAR - CER	Collet
ESTM™	PTFE - CER	Standard
ESCTM™	PTFE - CER	Collet
Rotary Face		
NCM™	Car - SIC - TC	Standard
Stationary Face		
CROX-CER-SIC-TC		



NCM™	
Seal Size	T.I.R. (K max)
1.000" to 2.375"	0.040"
24mm to 60mm	1.0mm
2.500" to 5.000"	0.060"
40mm to 63mm	1.5mm

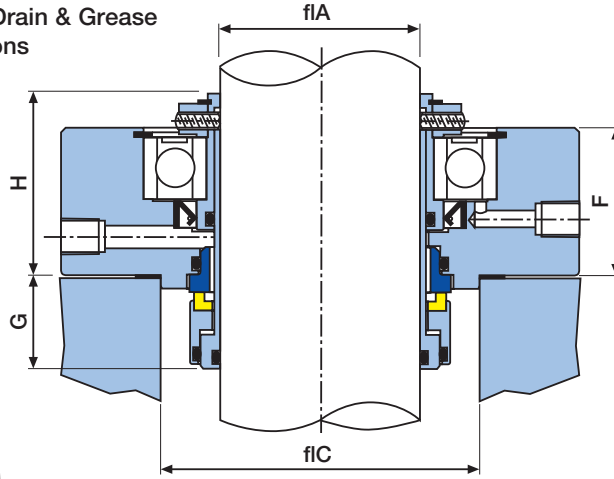
Mixmaster I™ - CSWIB™

The AESSEAL® Mixmaster I™ is a single cartridge mechanical seal, with balanced seal faces and an integral (steady) bearing.

The Mixmaster I™ can be ordered in types B, C & D in a variety of gland combinations concerning flush, quench, drain and grease connections and also different face combinations. The gland plate is machined to meet the customer's requirements with respect to outside diameter, bolt circle diameter and stuffing box location.

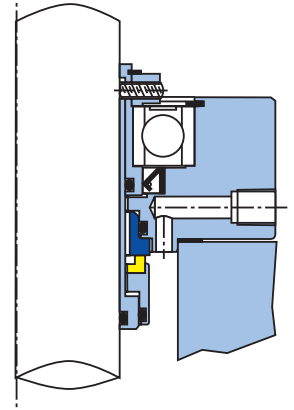
Type B

Quench, Drain & Grease Connections



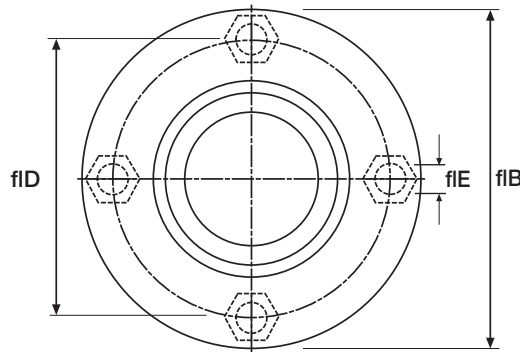
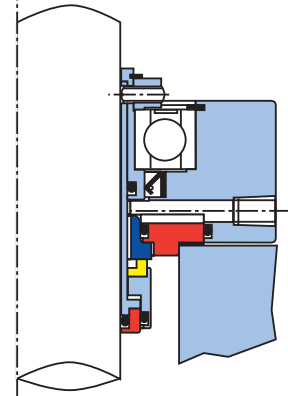
Type C

Type B Design with Flush



Type D

Exotic Alloy Option with Quench, Drain & Grease Connections



Minimum bolt circle based on bolt size shown.

CSWIB™ - Dimensional Information (inches)

ØA	ØB	ØC		ØD		ØE	F	G	H
		Min	Max	Min	Max				
1.000	1.663	3.000		3/8	1.750	1.150	2.312		
1.125	1.780	3.250		3/8	1.750	1.150	2.312		
1.250	1.931	3.500		3/8	1.750	1.150	2.312		
1.375	2.056	3.500		3/8	1.750	1.150	2.312		
1.500	2.303	3.875		1/2	1.812	1.187	2.375		
1.625	2.428	4.500		1/2	1.812	1.187	2.375		
1.750	2.553	4.500		1/2	1.812	1.187	2.375		
1.875	2.678	4.625		1/2	1.812	1.312	2.375		
2.000	2.803	4.625		1/2	1.812	1.312	2.375		
2.125	2.928	4.937		1/2	1.812	1.312	2.375		
2.250	3.053	5.000		5/8	1.812	1.312	2.375		
2.375	3.178	5.375		5/8	1.812	1.312	2.375		
2.500	3.428	5.500		5/8	2.000	1.312	2.625		
2.625	3.553	5.500		5/8	2.000	1.312	2.625		
2.750	3.678	5.875		5/8	2.062	1.312	2.625		
2.875	3.803	6.125		5/8	2.062	1.312	2.625		
3.000	3.928	6.125		5/8	2.062	1.312	2.625		
3.125	4.053	6.500		5/8	2.062	1.312	2.625		
3.250	4.178	6.625		3/4	2.062	1.312	2.625		
3.375	4.303	6.875		3/4	2.062	1.312	2.625		
3.500	4.428	6.875		3/4	2.062	1.312	2.625		
3.625	4.553	7.375		3/4	2.062	1.312	2.625		
3.750	4.678	7.375		3/4	2.062	1.312	2.625		
3.875	4.803	7.875		3/4	2.125	1.312	2.625		
4.000	4.928	7.875		3/4	2.125	1.312	2.625		

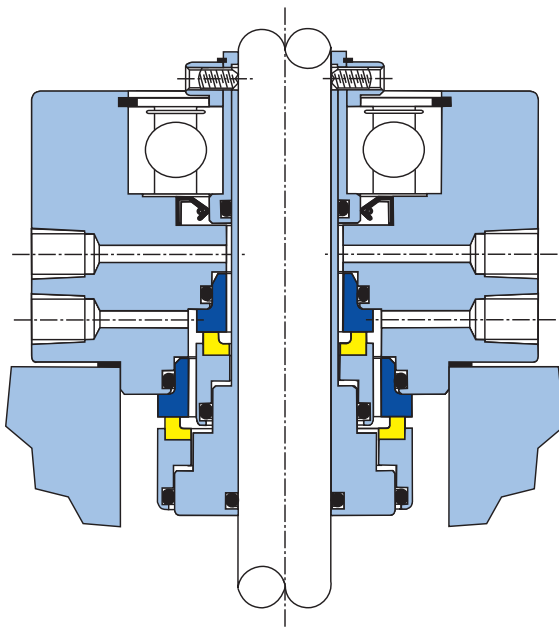
Note: ØE, F, G, H are typical sizes only. This seal design is made to suit customer requirements and these sizes can be changed.

CSWIB™ - Dimensional Information (mm)

ØA	ØB	ØC		ØD		ØE	F	G	H
		Min	Max	Min	Max				
24		41.2		76.2		10	44.5	29.2	58.7
25		42.2		76.2		10	44.5	29.2	58.7
28		45.2		82.6		10	44.5	29.2	58.7
30		47.2		82.6		10	44.5	29.2	58.7
32		49.0		88.9		10	44.5	29.2	58.7
33		49.0		88.9		10	44.5	29.2	58.7
35		52.2		88.9		10	44.5	29.2	58.7
38		58.5		98.4		12	46.0	30.1	60.3
40		58.5		98.4		12	46.0	30.1	60.3
43		61.7		114.3		12	46.0	30.1	60.3
45		64.8		114.3		12	46.0	30.1	60.3
48		68.0		117.5		12	46.0	33.3	60.3
50		68.0		117.5		12	46.0	33.3	60.3
53		71.2		117.5		12	46.0	33.3	60.3
55		74.4		125.4		12	46.0	33.3	60.3
58		77.5		136.5		16	46.0	33.3	60.3
60		80.7		136.5		16	46.0	33.3	60.3
63		87.1		139.7		16	50.8	33.3	66.7
65		90.2		139.7		16	50.8	33.3	66.7
68		93.4		149.2		16	52.4	33.3	66.7
70		93.4		149.2		16	52.4	33.3	66.7
75		99.8		155.6		16	52.4	33.3	66.7
80		102.9		165.1		16	52.4	33.3	66.7
85		109.3		174.6		20	52.4	33.3	66.7
90		115.6		187.3		20	52.4	33.3	66.7
95		118.8		187.3		20	52.4	33.3	66.7
100		125.2		200.0		20	54.0	33.3	66.7

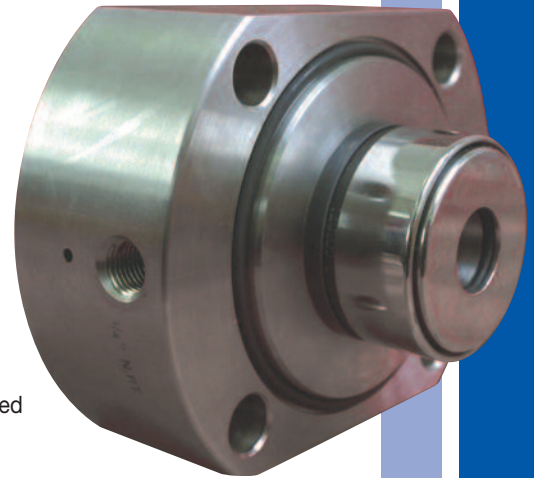
Mixmaster II™ - DSWIB™

The AESSEAL® Mixmaster II™ is a double cartridge seal with integral bearing design with concentric faces so that the seals overall length is reduced.



The CSWIB™ & DSWIB™ are offered with the following features:

- The integral bearing (pre-installed) is designed as a steady bearing and may not take the full radial load applied to a mixer
- Quench drain & grease connections as standard
- Available with flush connection (type 'C' only)
- No shaft fretting
- Balanced seal faces
- Non-clogging rotaries
- Most suitable for low shaft speeds
- Supplied with high tensile, corrosion resistant socket set screws



DSWIB™ - (inches)

ØA	ØB	ØC	
		Min	Max
1.000		2.303	
1.125		2.428	
1.250		2.553	
1.375		2.678	
1.500		2.928	
1.625	Dependent upon application	3.053	Dependent upon application
1.750			
1.875			
2.000			
2.125			
2.250			
2.375			
2.500			
2.625			
2.750			
2.875			
3.000			
3.125			
3.250			
3.375			
3.500			
3.625			
3.750			
3.875			
4.000			

DSWIB™ - (mm)

ØA	ØB	ØC	
		Min	Max
24		58.5	
25		58.5	
28		61.7	
30		61.7	
32		64.8	
33	Dependent upon application	64.8	Dependent upon application
35			
38			
40			
43			
45			
48			
50			
53			
55			
58			
60			
63			
65			
68			
70			
75			
80			
85			
90			
95			
100			

The Mixmaster II™ can be ordered in types B, C & D.

Like the Mixmaster I™, the Mixmaster II™ seal is manufactured from a fully machined gland, to the customer's specification.

Note: All face combinations up to 3.250" are standard AESSEAL® face materials. Contact the AESSEAL® technical department for hard face options above this size.

When ordering a CSWIB™ or DSWIB™ seal, please state accurately the following details: STUFFING BOX BORE - QUANTITY, SIZE AND SPACING OF BOLTS and BOLT CIRCLE DIAMETER. Please read and quote document Ref. AW 0810 and complete a seal application form with all enquiries. This can be obtained from marketing@aes seal.com.

Environmental Control Systems for double seals

In addition to a vast range of mechanical seals, AESSEAL® has a specialized systems division, dedicated to the design and manufacture of a comprehensive range of seal support packages for double mechanical seals. These support systems range from Thermosyphon systems, SWFF-TF™, Flow True™ and AES-15™ to the fully featured forced circulation system FDU™ for use on oil and water applications.

SWFF-TF™



Flow True™



AES-15™



FDU™



The systems above are compatible with a wide selection of barrier and buffer fluid media. They are supplied pre-assembled with all necessary components and fittings. On site inventory costs are reduced by modular system construction.

CDM™ - Cartridge Double for Mixers

The AESSEAL® CDM™ is available in a wide range of seal face, elastomer and alloy combinations, to suit individual applications.



CDM™ - Dimensional Information (inches)

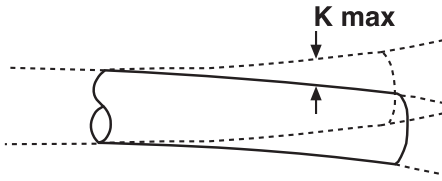
A	B	C	D	E	F			G		H	I	J	K
					Min	Min†	Max	Min	Max	Max			
1.000	4.125	2.125	1.937	0.519	1.625	1.665	1.937	2.687	3.562	1/2	1.281	2.062	0.040
1.125	4.250	2.250	2.063	0.519	1.750	1.790	2.062	2.812	3.687	1/2	1.281	2.062	0.040
1.250	4.375	2.375	2.187	0.519	1.875	1.915	2.187	2.937	3.812	1/2	1.281	2.062	0.040
1.375	4.375	2.500	2.312	0.519	2.000	2.040	2.250	3.062	3.812	1/2	1.281	2.062	0.040
1.500	5.000	2.812	2.562	0.644	2.250	2.290	2.375	3.375	4.437	1/2	1.312	2.125	0.040
1.625	5.000	2.812	2.562	0.644	2.375	2.415	2.500	3.375	4.437	1/2	1.312	2.125	0.040
1.750	5.500	3.187	2.812	0.644	2.500	2.540	2.750	3.750	4.937	1/2	1.312	2.125	0.040
1.875	5.500	3.187	2.812	0.644	2.625	2.665	2.875	3.750	4.937	1/2	1.312	2.125	0.040
2.000	6.000	3.562	3.063	0.644	2.750	2.790	3.000	4.125	5.437	1/2	1.380	2.125	0.040
2.000-AC	5.250	3.450	3.035	0.644	2.750	2.790	3.000	4.000	4.750	1/2	1.380	2.125	0.040
2.125	6.000	3.562	3.063	0.644	2.875	2.915	3.125	4.125	5.437	1/2	1.380	2.125	0.040
2.250	6.500	3.812	3.312	0.644	3.000	3.040	3.250	4.500	5.812	5/8	1.380	2.125	0.040
2.375	6.500	3.812	3.312	0.644	3.125	3.165	3.375	4.500	5.812	5/8	1.380	2.125	0.040
2.500	7.000	4.312	3.812	0.769	3.375	3.435	3.625	5.000	6.312	5/8	1.500	2.375	0.060
2.625	7.000	4.312	3.812	0.769	3.500	3.560	3.750	5.000	6.312	5/8	1.500	2.375	0.060
2.750	7.000	4.312	3.812	0.769	3.625	3.685	3.875	5.000	6.312	5/8	1.500	2.375	0.060
2.875	7.500	4.937	4.250	0.769	3.750	3.810	4.125	5.625	6.812	5/8	1.500	2.375	0.060
3.000	7.500	4.937	4.250	0.769	3.875	3.935	4.250	5.625	6.812	5/8	1.500	2.375	0.060
3.125	7.500	4.937	4.250	0.769	4.000	4.060	4.375	5.625	6.812	5/8	1.500	2.375	0.060
3.250	8.000	5.312	4.625	0.769	4.125	4.185	4.500	6.125	7.187	3/4	1.500	2.375	0.060
3.375	8.000	5.312	4.625	0.769	4.250	4.310	4.625	6.125	7.187	3/4	1.500	2.375	0.060
3.500	8.000	5.312	4.625	0.769	4.375	4.435	4.750	6.125	7.187	3/4	1.500	2.375	0.060
3.625	8.500	5.937	5.000	0.769	4.500	4.560	5.000	6.750	7.687	3/4	1.500	2.375	0.060
3.750	8.500	5.937	5.000	0.769	4.625	4.685	5.125	6.750	7.687	3/4	1.500	2.375	0.060
3.875	8.500	5.937	5.000	0.769	4.750	4.810	5.250	6.750	7.687	3/4	1.500	2.375	0.060
4.000	9.000	6.625	5.375	0.769	4.875	4.935	5.500	7.437	8.187	3/4	1.500	2.375	0.060
4.125	9.000	6.625	5.375	0.769	5.125	5.185	5.875	7.437	8.187	3/4	1.500	2.375	0.060
4.250	9.000	6.625	5.375	0.769	5.125	5.185	5.875	7.437	8.187	3/4	1.500	2.375	0.060
4.375	9.500	7.000	5.750	0.769	5.375	5.435	6.250	7.812	8.687	3/4	1.500	2.375	0.060
4.500	9.500	7.000	5.750	0.769	5.375	5.435	6.250	7.812	8.687	3/4	1.500	2.375	0.060
4.625	10.000	7.345	6.125	0.769	5.625	5.685	6.625	8.312	9.062	7/8	1.500	2.375	0.060
4.750	10.000	7.345	6.125	0.769	5.625	5.685	6.625	8.312	9.062	7/8	1.500	2.375	0.060
4.875	10.000	7.345	6.125	0.769	5.875	5.935	6.625	8.312	9.062	7/8	1.500	2.375	0.060
5.000	10.000	7.345	6.125	0.769	5.875	5.935	6.625	8.312	9.062	7/8	1.500	2.375	0.060

Double cartridge seal for mixers/agitators.

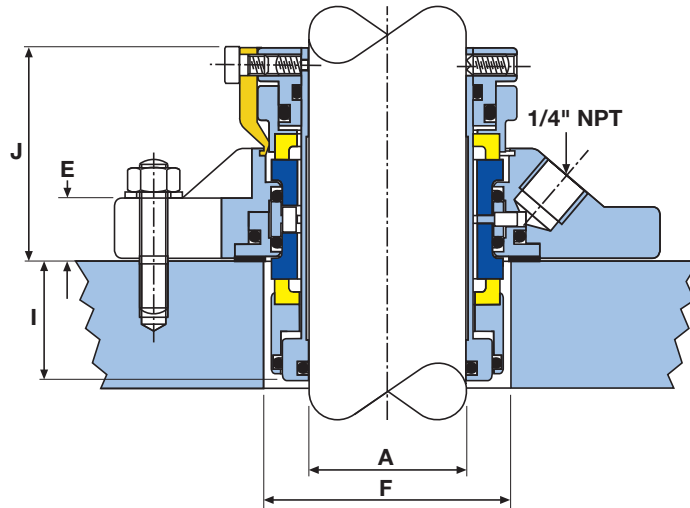


Seal sizes from 5.125" to 12.000" are designed to suit specific equipment using modular components. Contact AESSEAL® technical department for dimensional information and availability.

† = F Min + K Max



K Max = Maximum TOTAL Radial Movement

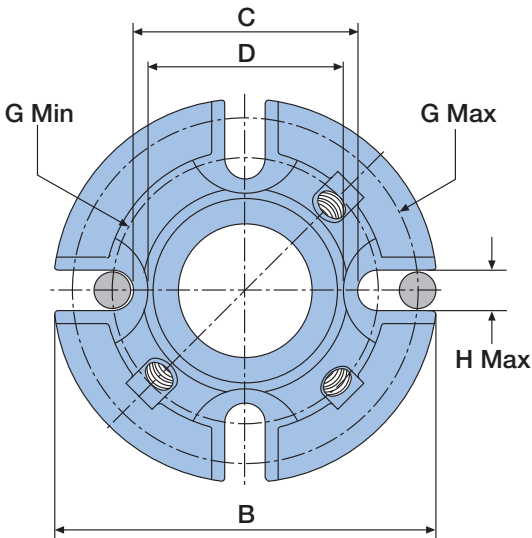


CDM™ - Dimensional Information (mm)

A	B	C	D	E	F			G		H	I	J	K
					Min	Min†	Max	Min	Max	Max			
24	104.8	54.0	49.2	13.2	40.0	41.0	46.0	67.0	90.5	12	32.5	52.4	1.0
25	104.8	54.0	49.2	13.2	41.0	42.0	49.0	67.0	90.5	12	32.5	52.4	1.0
28	108.0	57.2	52.4	13.2	44.0	45.0	52.3	70.3	93.6	12	32.5	52.4	1.0
30	111.0	60.4	55.6	13.2	46.0	47.0	55.5	73.5	96.8	12	32.5	52.4	1.0
32	111.0	60.4	55.6	13.2	48.0	49.0	55.5	73.5	96.8	12	32.5	52.4	1.0
33	111.0	60.4	55.6	13.2	49.0	50.0	55.5	73.5	96.8	12	32.5	52.4	1.0
35	111.0	63.5	58.8	13.2	51.0	52.0	57.5	76.6	96.8	12	32.5	52.4	1.0
38	127.0	71.5	65.0	16.4	57.2	58.2	60.3	85.7	114.3	12	33.3	54.0	1.0
40	127.0	71.5	65.0	16.4	58.0	59.0	60.4	85.7	114.3	12	33.3	54.0	1.0
43	127.0	71.5	65.0	16.4	61.0	62.0	63.5	85.7	114.3	12	33.3	54.0	1.0
45	139.7	81.0	71.4	16.4	63.5	64.5	69.9	95.3	127.0	12	33.3	54.0	1.0
48	139.7	81.0	71.4	16.4	66.7	67.7	73.0	95.3	127.0	12	33.3	54.0	1.0
50	139.7	81.0	71.4	16.4	68.0	69.0	73.0	95.3	127.0	12	33.3	54.0	1.0
53	152.4	90.5	77.8	16.4	71.0	72.0	76.2	104.8	139.7	12	35.0	54.0	1.0
55	152.4	90.5	77.8	16.4	74.0	75.0	79.4	104.8	139.7	12	35.0	54.0	1.0
58	165.1	96.8	84.1	16.4	76.2	77.2	82.5	114.3	149.2	16	35.0	54.0	1.0
60	165.1	96.8	84.1	16.4	79.4	80.4	85.7	114.3	149.2	16	35.0	54.0	1.0
63	177.8	109.5	96.8	19.6	85.8	87.3	92.1	127.0	160.3	16	38.1	60.3	1.5
65	177.8	109.5	96.8	19.6	88.9	90.4	95.3	127.0	160.3	16	38.1	60.3	1.5
68	177.8	109.5	96.8	19.6	92.1	93.6	98.4	127.0	160.3	16	38.1	60.3	1.5
70	177.8	109.5	96.8	19.6	92.1	93.6	98.4	127.0	160.3	16	38.1	60.3	1.5
75	190.5	125.4	108.0	19.6	98.5	100.0	108.0	142.9	173.0	16	38.1	60.3	1.5
80	190.5	125.4	108.0	19.6	101.6	103.1	111.1	142.9	173.0	16	38.1	60.3	1.5
85	203.2	135.0	117.5	19.6	108.0	109.5	117.5	155.6	182.5	20	38.1	60.3	1.5
90	215.9	150.8	127.0	19.6	114.3	115.8	127.0	171.5	195.2	20	38.1	60.3	1.5
95	215.9	150.8	127.0	19.6	117.5	119.0	130.2	171.5	195.2	20	38.1	60.3	1.5
100	228.6	169.3	136.5	19.6	123.9	125.4	139.7	189.9	208.0	20	38.1	60.3	1.5
105	228.6	169.3	136.5	19.6	130.1	131.6	149.2	189.9	208.0	20	38.1	60.3	1.5
110	241.3	177.8	146.1	19.6	136.5	138.0	158.8	198.4	220.2	20	38.1	60.3	1.5
115	254.0	186.6	155.8	19.6	142.9	144.4	168.3	211.1	230.2	22	38.1	60.3	1.5
120	254.0	186.6	155.8	19.6	142.9	144.4	168.3	211.1	230.2	22	38.1	60.3	1.5
125	254.0	186.6	155.8	19.6	149.2	150.7	168.3	211.1	230.2	22	38.1	60.3	1.5

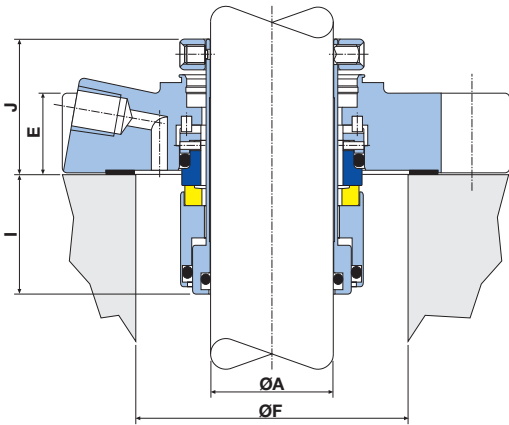
Seal sizes from 130mm to 300mm are designed to suit specific equipment using modular components. Contact AESSEAL® technical department for dimensional information and availability.

† = F Min + K Max



See previous pages for support systems available.

ANSI+ CSM™ and CDM™- gland designs to suit ANSI+ pumps



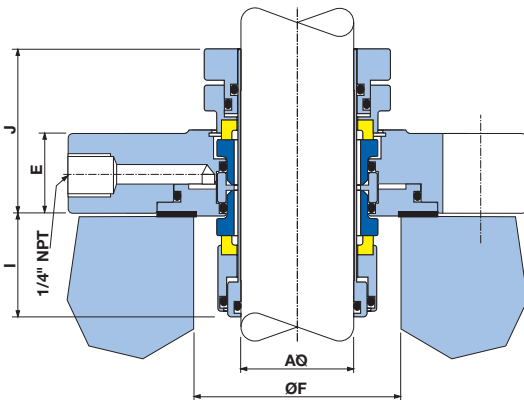
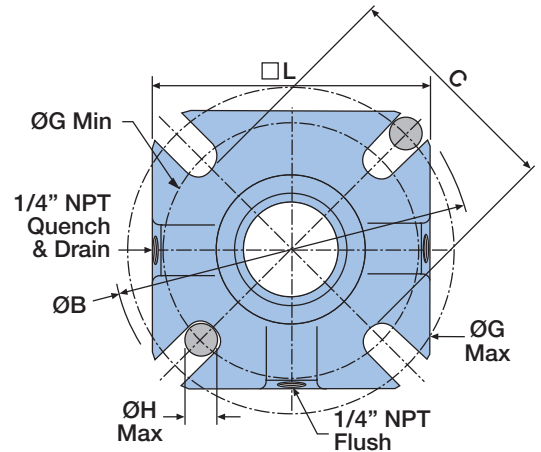
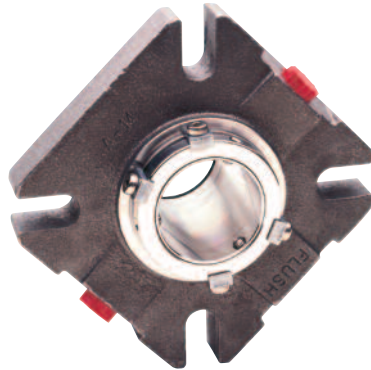
ANSI+ CSM™ - ANSI+ Gland format Dimensional Information (inches)

A	B	C	E	F min	F max	G min	G max	H max	I	J	□L	K max
1.125	5.000	3.188	1.000	2.625	2.850	3.750	4.250	0.500	1.125	1.565	3.990	0.040
1.375	5.375	3.438	1.000	2.875	3.100	4.000	4.625	0.500	1.125	1.565	4.240	0.040
1.750	6.750	4.438	0.644	3.500	4.100	5.000	6.000	0.500	1.125	1.690	5.480	0.040
1.875	6.750	4.438	0.644	3.625	4.100	5.000	6.000	0.500	1.125	1.690	5.480	0.040
2.125	7.625	4.688	0.644	3.875	4.225	5.375	6.687	0.625	1.250	1.690	6.230	0.040
2.500	8.250	5.438	0.644	4.500	5.100	6.125	7.312	0.625	1.300	1.890	6.730	0.060
2.625	8.250	5.438	0.644	4.625	5.100	6.125	7.312	0.625	1.300	1.890	6.730	0.060
2.750	8.250	5.438	0.644	4.625	5.100	6.125	7.312	0.625	1.300	1.890	6.730	0.060

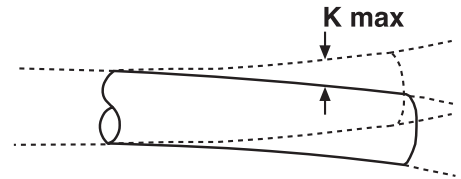
Minimum bolt circle based on bolt size shown.

The CSM™ and CDM™ range of single and double mechanical seals are available with ANSI+ size gland designs in order to fit ANSI+ equipment.

For any more information on these seals please contact the AESSEAL® Technical Department.



K Max = Maximum TOTAL Radial Movement



ANSI+ CDM™ - ANSI+ Gland format Dimensional Information (inches)

A	B	C	E	F Min	F Max	G Min	G Max	H Max	I	J	□L	K max
1.125	5.000	3.188	1.000	2.625	2.850	3.750	4.250	0.500	1.250	2.000	3.990	0.040
1.375	5.375	3.438	1.000	2.875	3.100	4.000	4.625	0.500	1.250	2.000	4.240	0.040
1.750	6.750	4.438	0.644	3.500	4.100	5.000	6.000	0.500	1.350	2.000	5.480	0.040
1.875	6.750	4.438	0.644	3.625	4.100	5.000	6.000	0.500	1.350	2.000	5.480	0.040
2.125	7.625	4.688	0.644	3.875	4.225	5.375	6.687	0.625	1.437	2.000	6.230	0.040
2.500	8.250	5.438	0.644	4.500	5.100	6.125	7.312	0.625	1.500	2.187	6.730	0.060
2.625	8.250	5.438	0.644	4.625	5.100	6.125	7.312	0.625	1.500	2.187	6.730	0.060
2.750	8.250	5.438	0.644	4.625	5.100	6.125	7.312	0.625	1.500	2.187	6.730	0.060

Minimum bolt circle based on bolt size shown.

THIS DOCUMENT IS DESIGNED TO PROVIDE DIMENSIONAL INFORMATION AND AN INDICATION OF AVAILABILITY. FOR FURTHER INFORMATION AND SAFE OPERATING LIMITS CONTACT OUR TECHNICAL SPECIALISTS AT THE LOCATIONS BELOW.



USE DOUBLE MECHANICAL SEALS WITH HAZARDOUS PRODUCTS. ALWAYS TAKE SAFETY PRECAUTIONS:

- GUARD YOUR EQUIPMENT
- WEAR PROTECTIVE CLOTHING



UK Sales & Technical advice:

AESSEAL plc
Mill Close
Templeborough
Rotherham
S60 1BZ
United Kingdom



INVESTOR IN PEOPLE

Telephone: +44 (0) 1709 369966
Fax: +44 (0) 1709 720788
E-mail: seals@aes seal.com
Internet: http://www.aes seal.com

Distributed by:

Our Purpose: *'To give our customers such exceptional service that they need never consider alternative sources of supply.'*

USA Sales & Technical advice:

AESSEAL Inc.
355 Dunavant Drive
Rockford,
TN. 37853
USA

Telephone: +1 865 531 0192
Fax: +1 865 531 0571
E-mail: usa@aes seal.com

ALL SIZES ARE SUBJECT TO MANUFACTURING TOLERANCES. WE RESERVE THE RIGHT TO MODIFY SPECIFICATIONS AT ANY TIME.

AESSEAL plc recognise all trademarks and trademark names as the property of their owners.

ESM™, NCM™, ESTM™, ESCM™, Buffer Canister™, ESCTM™, CSM™, CDM™, CSWIB™, Mixmaster I™, DSWIB™, Mixmaster II™, AES15™, Buffer Reservoir™, PUMPPAC™, FlowTrue™ and SWFF-TF™ are Trademarks of AESSEAL plc
Registered Trademarks: AESSEAL® - AESSEAL plc

Reference Issue • L-UK/US-MIXERBASIC-06b