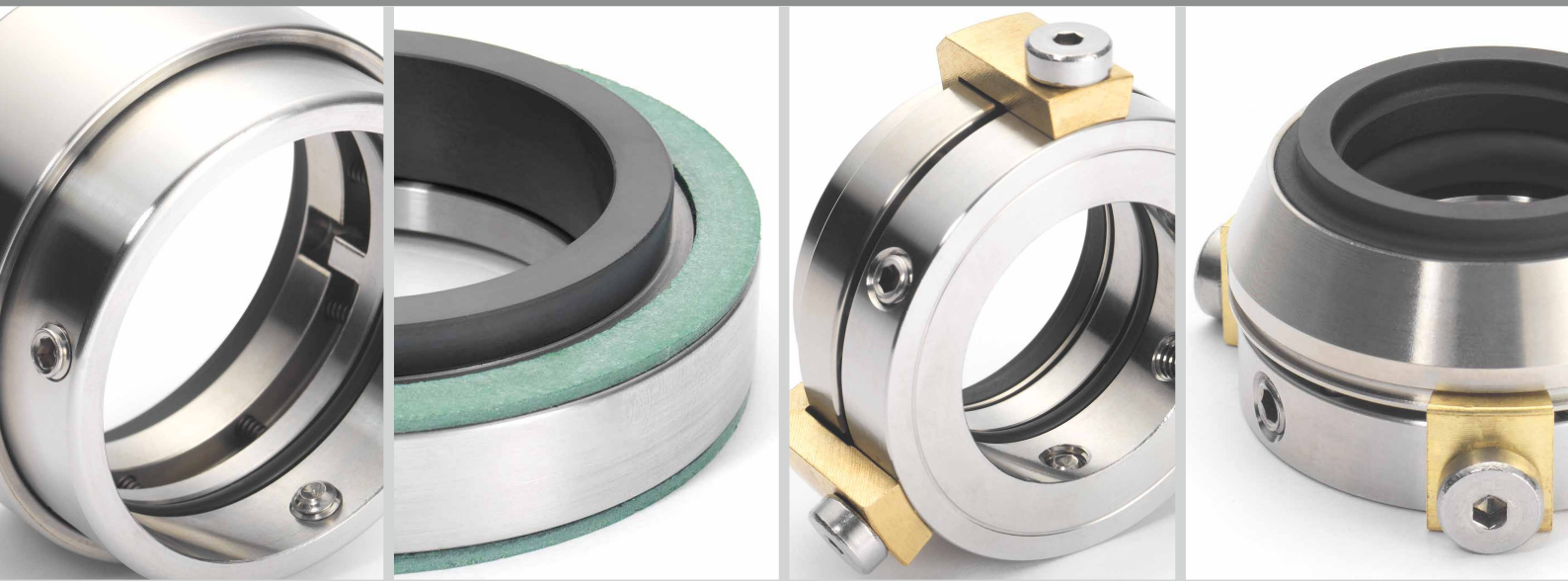


SAI™, CST™, NCE™

and stationary seat seal ranges



the AESSEAL® group of companies

designers and manufacturers of mechanical seals,
bearing protectors and seal support systems
which maximize rotating equipment up-time.

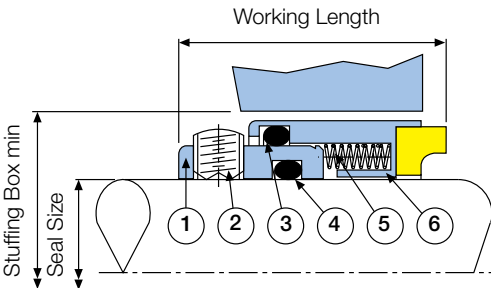
SAI™ – Internal Balanced Mechanical Seal



The standard rotary unit in the AESSEAL® modular seal range.

The seal is offered with the following features:

- Non-shaft-fretting design to reduce cost of equipment overhaul
- Maximizes seal life in suspensions and liquids such as slurries given the smooth non-clogging profile (springs out of the product)
- Hydraulically balanced seal-face
- Premium drive integrity (milled metallic lug drive)
- Short internal working length
- Metric DIN SAI™ sizes conform to DIN EN12756:2001 and BS EN 12756:2001 (formerly DIN 24960) in conjunction with the AESSEAL® DIN stationary
- Excellent general service seal
- Fits 0.312" (8mm) cross section in smaller pump models



Item	Description	Material
1	SAI Inner Barrel	316L Stainless Steel
2	Drive Screws	Stainless Steel
3	Dynamic O Ring	Viton® / EPR / FEP® / Kalrez® / Aflas®
4	Static O Ring	Viton® / EPR / FEP® / Kalrez® / Aflas®
5	Springs	Alloy 276
6	SAI Outer Barrel	316L SS - Carbon / TC / Silicon Carbide

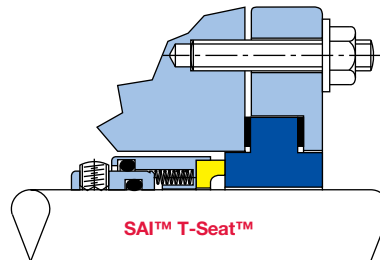
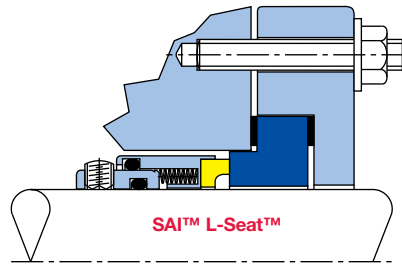
SAI™ Size Chart (mm)

Seal Size	Working Length	S/Box Min
105.0	36.5	123.9
110.0	36.5	130.2
115.0	36.5	136.5
120.0	36.5	142.9
125.0	36.5	149.2
130.0	36.5	149.2
135.0	55.6	168.3
140.0	55.6	168.3
145.0	55.6	168.3
150.0	55.6	181.0
155.0	55.6	181.0

For metric SAI™ seals from 18mm-100mm see DIN SAI™ size chart (below)

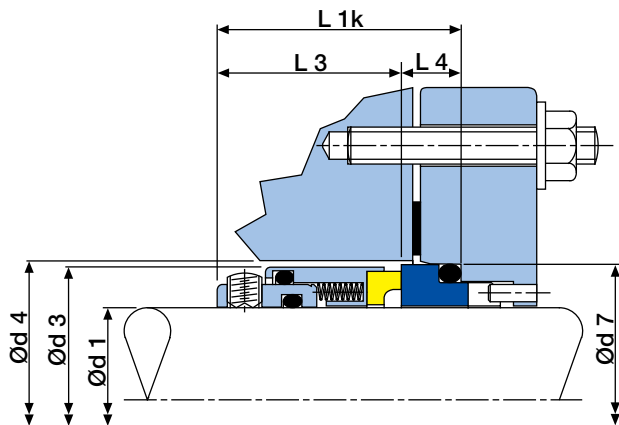
SAI™ Size Chart (inches)

Seal Size	Working Length	S/Box Min
0.750	1.335	1.375
0.875	1.335	1.500
1.000	1.335	1.625
1.125	1.335	1.750
1.250	1.335	1.875
1.375	1.335	2.000
1.500	1.335	2.125
1.625	1.335	2.250
1.750	1.335	2.375
1.875	1.335	2.500
2.000	1.335	2.625
2.125	1.335	2.750
2.250	1.335	2.875
2.375	1.335	3.000
2.500	1.335	3.125
2.625	1.437	3.375
2.750	1.437	3.500
2.875	1.437	3.625
3.000	1.437	3.750
3.125	1.437	3.875
3.250	1.437	4.000
3.375	1.437	4.125
3.500	1.437	4.250
3.625	1.437	4.375
3.750	1.437	4.500
3.875	1.437	4.625
4.000	1.437	4.750
4.125	1.437	4.875
4.250	1.437	5.125
4.375	1.437	5.125
4.500	1.437	5.375
4.625	1.437	5.375
4.750	1.437	5.625
4.875	1.437	5.625
5.000	1.437	5.875
5.125	1.437	5.875
5.250	2.187	6.625
5.375	2.187	6.625
5.500	2.187	6.625
5.625	2.187	6.625
5.750	2.187	6.625
5.875	2.187	7.125
6.000	2.187	7.125



DIN SAI™ & DIN Stationary

Designed and manufactured to DIN EN12756:2001 and BS EN 12756:2001 (formerly DIN 24960)



Item	Description	Material
1	DIN SAI Inner Barrel	316L Stainless Steel
2	Drive Screws	Stainless Steel
3	Dynamic O Ring	Viton® / EPR / FEP® / Kalrez® / Aflas®
4	Static O Ring	Viton® / EPR / FEP® / Kalrez® / Aflas®
5	Springs	Alloy 276
6	DIN SAI Outer Barrel	316L SS - Carbon / Tungsten Carbide / Silicon Carbide
7	DIN Stationary	Ceramic® / Silicon Carbide
8	Stationary O Ring	Viton® / EPR / FEP® / Kalrez® / Aflas®

DIN SAI™ Size Chart (mm)

Ød1 h6	L3	L1k +/- 0.5	L4	Ød7 H8	Ød3 Max	Ød4 Min
18.0	27.9	37.5	9.60	33.0	32.0	34.0
20.0	27.9	37.5	9.60	35.0	34.0	36.0
22.0	27.9	37.5	9.60	37.0	36.0	38.0
24.0	29.9	40.0	10.1	39.0	38.0	40.0
25.0	29.9	40.0	10.1	40.0	39.0	41.0
28.0	32.4	42.5	10.1	43.0	42.0	44.0
30.0	32.4	42.5	10.1	45.0	44.0	46.0
32.0	32.4	42.5	10.1	48.0	46.0	48.0
33.0	32.4	42.5	10.1	48.0	47.0	49.0
35.0	32.4	42.5	10.1	50.0	49.0	51.0
38.0	33.9	45.0	11.1	56.0	52.7	58.0
40.0	33.9	45.0	11.1	58.0	55.9	60.0
43.0	33.9	45.0	11.1	61.0	59.1	63.0
45.0	33.9	45.0	11.1	63.0	59.6	65.0
48.0	33.9	45.0	11.1	66.0	62.2	68.0
50.0	34.4	47.5	13.1	70.0	65.4	70.0
53.0	34.4	47.5	13.1	73.0	68.6	73.0
55.0	34.4	47.5	13.1	75.0	70.1	75.0
58.0	38.9	52.5	13.6	78.0	74.9	83.0
60.0	38.9	52.5	13.6	80.0	74.9	85.0
63.0	38.9	52.5	13.6	83.0	78.1	88.0
65.0	38.9	52.5	13.6	85.0	84.2	90.0
68.0	37.4	52.5	15.1	90.0	87.4	93.0
70.0	44.9	60.0	15.1	92.0	87.4	95.0
75.0	44.9	60.0	15.1	97.0	93.7	104.0
80.0	43.8	60.0	16.2	105.0	100.1	109.0
85.0	43.8	60.0	16.2	110.0	103.2	114.0
90.0	49.2	65.0	15.8	115.0	109.6	119.0
95.0	49.2	65.0	15.8	120.0	112.8	124.0
100.0	49.2	65.0	15.8	125.0	119.1	129.0

*This material is not available from 3.125" (80mm) and above.

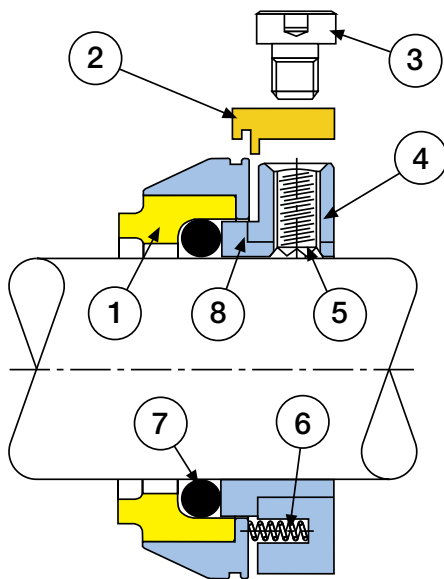
CS™ Range – External Seal with Non-Metallic Parts



An external seal with non-metallic components in contact with the media being sealed.

The seals are offered with the following features:

- External seal with hydraulically balanced seal-face
- Non-metallic wetted parts for use in chemical applications
- Supplied clipped and pre-set to working length
- Available with collet drive for use with hardened or non-metallic sleeves
- Springs not in contact with product
- Hard faces



Item	Description	Material
1	Rotary Face	316L Stainless Steel - Carbon / Teflon*
2	Setting Clip	Brass / Zinc Alloy
3	Clip Screws	Stainless Steel
4	Clamp Ring	316L Stainless Steel
5	Drive Screws	Stainless Steel
6	Springs	Alloy 276
7	Static O Ring	Viton® / EPR / FEP® / Kalrez® / Aflas®
8	Backup Ring (Optional)	Stainless Steel

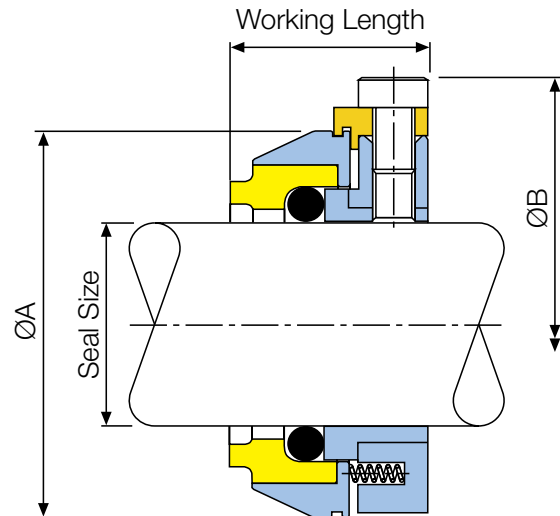
*Ask for availability - SiC, Ceramic

CS™ Size Chart (inches)

Seal Size	Working Length	ØA	ØB
0.625	1.099	1.622	2.192
0.750	1.099	1.747	2.317
0.875	1.099	1.872	2.442
1.000	1.099	1.997	2.567
1.125	1.099	2.122	2.692
1.250	1.099	2.247	2.817
1.375	1.099	2.372	2.942
1.500	1.099	2.497	3.067
1.625	1.099	2.622	3.192
1.750	1.099	2.747	3.317
1.875	1.099	2.872	3.442
2.000	1.099	2.997	3.567
2.125	1.099	3.122	3.692
2.250	1.099	3.247	3.817
2.375	1.099	3.372	3.942
2.500	1.099	3.497	4.067
2.625	1.192	3.866	4.436
2.750	1.192	3.991	4.561
2.875	1.192	4.116	4.686
3.000	1.192	4.241	4.811
3.125	1.192	4.366	4.936
3.250	1.192	4.491	5.061
3.375	1.192	4.616	5.186
3.500	1.192	4.741	5.311
3.625	1.192	4.866	5.436
3.750	1.192	4.991	5.561
3.875	1.192	5.116	5.686
4.000	1.192	5.241	5.811

CS™ Size Chart (mm)

Seal Size	Working Length	ØA	ØB
20	27.91	45.3	59.8
22	27.91	47.3	61.8
24	27.91	49.3	63.8
25	27.91	50.3	64.8
28	27.91	53.3	67.8
30	27.91	55.3	69.8
32	27.91	57.3	71.8
33	27.91	58.3	72.8
35	27.91	60.3	74.8
38	27.91	63.3	77.8
40	27.91	65.3	79.8
42	27.91	67.3	81.8
43	27.91	68.3	82.8
45	27.91	70.3	84.8
48	27.91	73.3	87.8
50	27.91	75.3	89.8
53	27.91	78.3	92.8
55	27.91	80.3	
94.8			
60	27.91	85.3	99.8
65	30.28	96.5	111.0
70	30.28	101.5	116.0
75	30.28	106.5	121.0
80	30.28	111.5	126.0
85	30.28	116.5	131.0
90	30.28	121.5	136.0
95	30.28	126.5	141.0
100	30.28	131.5	146.0



CS™ Range

CS™ — External chemical component seal with socket set screw clamping.

CSC™ — External chemical component seal with collet clamping design.

CSCT™ — External chemical component seal with collet clamping and Teflon (GFT) seal face.

CST™ — External chemical component seal (CS) with Teflon (GFT) seal face.

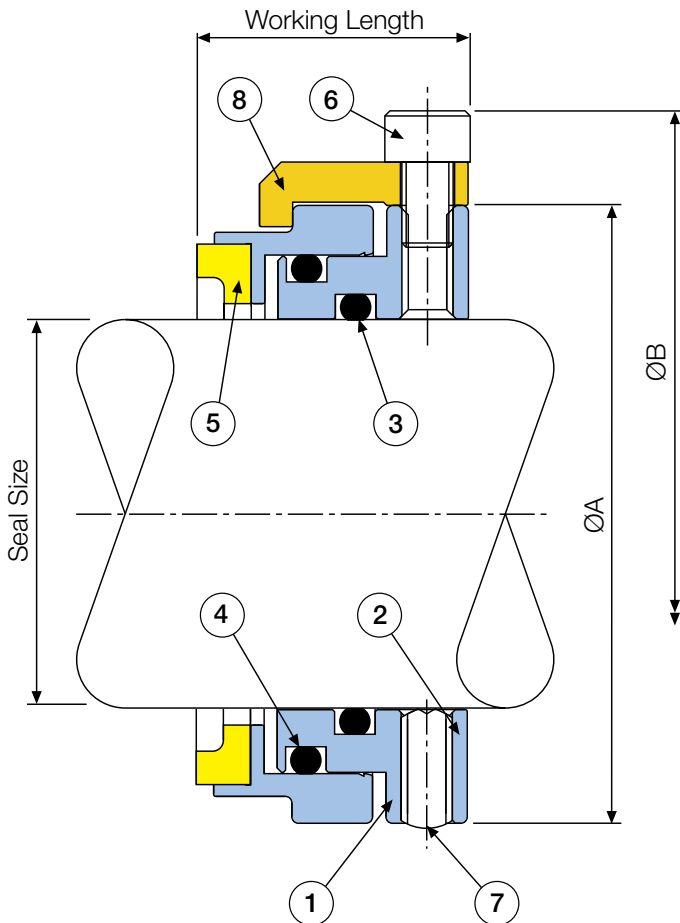
NCE™ – Non Chemical External Seal

An external seal with metallic components in contact with the media being sealed.



The NCE™ is offered with the following features:

- Hydraulically balanced seal face design
- Non shaft fretting
- Multiple springs, out of the media being pumped



NCE™ Size Chart (inches)

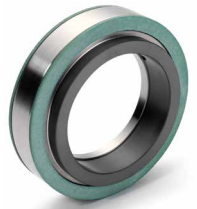
Seal Size	Working Length	ØA	ØB
1.000	1.096	1.834	2.618
1.125	1.096	1.992	2.776
1.250	1.096	2.070	2.854
1.375	1.096	2.187	2.971
1.500	1.125	2.510	3.294
1.625	1.125	2.510	3.294
1.750	1.125	2.636	3.420
1.875	1.125	2.760	3.544
2.000	1.087	2.886	3.670
2.125	1.087	3.014	3.798
2.250	1.087	3.139	3.922
2.375	1.087	3.264	4.048
2.500	1.087	3.388	4.172
2.625	1.250	3.556	4.340
2.750	1.250	3.681	4.465
2.875	1.250	3.806	4.590
3.000	1.250	3.931	4.715
3.125	1.250	4.056	4.840
3.250	1.250	4.181	4.965
3.375	1.250	4.306	5.090
3.500	1.250	4.431	5.215
3.625	1.250	4.556	5.340
3.750	1.250	4.681	5.465
3.875	1.250	4.806	5.590
4.000	1.250	4.931	5.715

NCE™ Size Chart (mm)

Seal Size	Working Length	ØA	ØB
24.0	27.8	46.6	66.5
25.0	27.8	47.6	67.5
28.0	27.8	50.6	70.5
30.0	27.8	50.6	70.5
32.0	27.8	52.6	72.5
33.0	27.8	55.5	75.4
35.0	27.8	55.5	75.4
38.0	28.6	63.8	83.7
40.0	28.6	63.8	83.7
43.0	28.6	67.0	86.9
45.0	28.6	67.0	86.9
48.0	27.6	73.3	93.2
50.0	27.6	73.3	93.2
53.0	27.6	76.6	96.5
55.0	27.6	76.6	96.5
58.0	27.6	82.9	102.8
60.0	27.6	82.9	102.8
63.0	27.6	86.1	106.0
65.0	31.7	90.3	110.2
68.0	31.7	93.5	113.4
70.0	31.7	93.5	113.4
75.0	31.7	99.8	119.7
80.0	31.7	103.0	122.9
85.0	31.7	109.4	129.3
90.0	31.7	115.7	135.6
95.0	31.7	118.9	138.8
100.0	31.7	125.2	
145.1			

Item	Description	Material
1	Springs (not shown)	Alloy 276
2	Clamp Ring	316L Stainless Steel
3	O Ring	Viton® / EPR / Kalrez® / Aflas®
4	O Ring	Viton® / EPR / Kalrez® / Aflas®
5	Rotary Face	316L SS - Carbon / TC / SIC
6	Clip Screws	Stainless Steel
7	Set Screw	Stainless Steel
8	Setting Clips	Brass

“Our purpose is to give our customers such exceptional service that they need never consider alternative sources of supply.”



NSI™ & USI™ – Stationary Seat

This is a self-aligning or non self-aligning stationary seat suitable for use with the range of component seals.

NSI™ Size Chart (inches)

Seal Size	A	B	ØC	ØD	ØE	F
1.000	0.800	0.600	2.000	1.559	1.157	0.200
1.125	0.800	0.600	2.125	1.677	1.275	0.200
1.250	0.800	0.600	2.250	1.828	1.432	0.250
1.375	0.800	0.600	2.375	1.953	1.550	0.200
1.500	0.800	0.600	2.625	2.076	1.574	0.200
1.625	0.800	0.600	2.750	2.200	1.707	0.200
1.750	0.800	0.600	3.000	2.325	1.825	0.200
1.875	0.800	0.600	3.125	2.450	1.950	0.200
2.000	0.800	0.600	3.250	2.575	2.110	0.200
2.125	0.800	0.600	3.500	2.700	2.218	0.200
2.250	0.800	0.600	3.625	2.825	2.325	0.200
2.375	0.800	0.600	3.750	2.950	2.450	0.200
2.500	0.800	0.600	4.000	3.075	2.575	0.200
2.625	1.044	0.725	4.125	3.325	2.740	0.319
2.750	1.044	0.725	4.250	3.450	2.865	0.319
2.875	1.044	0.725	4.625	3.575	2.990	0.319
3.000	1.044	0.725	4.750	3.700	3.115	0.319
3.125	1.044	0.725	4.875	3.825	3.240	0.319
3.250	1.044	0.725	5.000	3.950	3.365	0.319
3.375	1.044	0.725	5.125	4.075	3.490	0.319
3.500	1.044	0.725	5.250	4.200	3.615	0.319
3.625	1.044	0.725	5.375	4.325	3.740	0.319
3.750	1.044	0.725	5.750	4.450	3.865	0.319
3.875	1.044	0.725	5.875	4.575	3.990	0.319
4.000	1.044	0.725	6.000	4.700	4.115	0.319

USI™ Size Chart (inches)

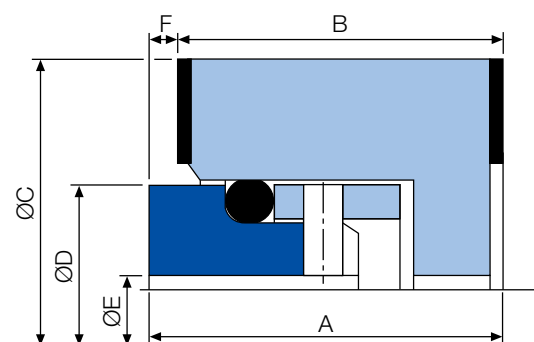
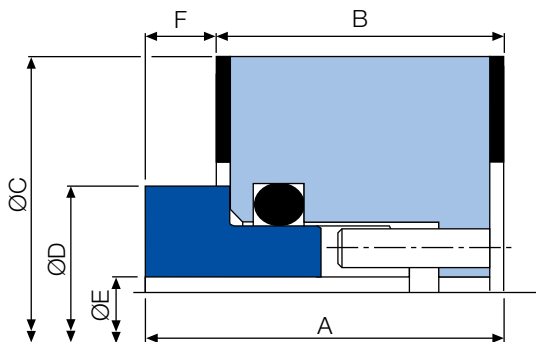
Seal Size	A	B	ØC	ØD	ØE	F
1.000	1.047	0.967	2.088	1.559	1.157	0.080
1.125	1.047	0.967	2.215	1.677	1.275	0.080
1.250	1.047	0.967	2.338	1.828	1.432	0.080
1.375	1.047	0.967	2.408	1.953	1.550	0.080
1.500	1.047	0.967	2.718	2.076	1.574	0.080
1.625	1.086	1.006	2.840	2.200	1.707	0.080
1.750	1.086	1.006	3.090	2.325	1.825	0.080
1.875	1.086	1.006	3.218	2.450	1.950	0.080
2.000	1.086	1.006	3.468	2.575	2.110	0.080
2.125	1.166	1.006	3.718	2.700	2.218	0.160
2.250	1.164	1.026	3.838	2.825	2.325	0.138
2.375	1.164	1.026	3.878	2.950	2.450	0.138
2.500	1.164	1.026	4.088	3.075	2.575	0.138
2.625	1.194	1.026	4.218	3.325	2.740	0.168
2.750	1.194	1.026	4.378	3.450	2.865	0.168
2.875	1.194	1.026	4.498	3.575	2.990	0.168
3.000	1.194	1.026	4.558	3.700	3.115	0.168
3.125	1.194	1.026	4.687	3.825	3.240	0.168
3.250	1.194	1.026	4.877	3.950	3.365	0.168
3.375	1.194	1.026	5.000	4.075	3.490	0.168
3.500	1.194	1.026	5.128	4.200	3.615	0.168
3.625	1.194	1.026	5.248	4.325	3.740	0.168
3.750	1.194	1.026	5.378	4.450	3.865	0.168
3.875	1.194	1.026	5.497	4.575	3.990	0.168
4.000	1.194	1.026	5.628	4.700	4.115	0.168

NSI™ Size Chart (mm)

Seal Size	A	B	ØC	ØD	ØE	F
25.0	20.3	15.2	50.8	39.6	29.4	5.1
28.0	20.3	15.2	54.0	42.6	32.4	5.1
30.0	20.3	15.2	57.2	46.4	36.4	5.1
32.0	20.3	15.2	57.2	46.4	36.4	5.1
33.0	20.3	15.2	57.2	46.4	36.4	5.1
35.0	20.3	15.2	60.3	49.6	39.4	5.1
40.0	20.3	15.2	69.9	55.9	43.4	5.1
42.0	20.3	15.2	69.9	55.9	43.4	5.1
43.0	20.3	15.2	76.2	59.1	46.4	5.1
45.0	20.3	15.2	76.2	59.1	46.4	5.1
48.0	20.3	15.2	79.4	62.2	49.5	5.1
50.0	20.3	15.2	82.6	65.4	53.6	5.1
53.0	20.3	15.2	88.9	68.6	56.3	5.1
55.0	20.3	15.2	88.9	68.6	56.3	5.1
58.0	20.3	15.2	95.3	74.9	62.2	5.1
60.0	20.3	15.2	95.3	74.9	62.2	5.1
63.0	20.3	15.2	101.6	78.1	65.4	5.1
65.0	26.5	18.4	104.8	84.5	69.6	8.1
68.0	26.5	18.4	108.0	87.6	72.8	8.1
70.0	26.5	18.4	108.0	87.6	72.8	8.1
75.0	26.5	18.4	120.7	94.0	79.1	8.1
80.0	26.5	18.4	127.0	100.3	85.5	8.1
85.0	26.5	18.4	130.2	103.5	88.6	8.1
90.0	26.5	18.4	136.5	109.9	95.0	8.1
95.0	26.5	18.4	146.1	113.0	98.2	8.1
100.0	26.5	18.4	152.4	119.4	104.5	8.1

USI™ Size Chart (mm)

Seal Size	A	B	ØC	ØD	ØE	F
25.0	26.6	24.6	53.0	39.6	29.4	2.0
28.0	26.6	24.6	56.3	42.6	32.4	2.0
30.0	26.6	24.6	59.4	46.4	36.4	2.0
32.0	26.6	24.6	59.4	46.4	36.4	2.0
33.0	26.6	24.6	59.4	46.4	36.4	2.0
35.0	26.6	24.6	61.2	49.6	39.4	2.0
40.0	27.6	25.6	72.1	55.9	43.4	2.0
42.0	27.6	25.6	72.1	55.9	43.4	2.0
43.0	27.6	25.6	78.5	59.1	46.4	2.0
45.0	27.6	25.6	78.5	59.1	46.4	2.0
48.0	27.6	25.6	81.7	62.2	49.5	2.0
50.0	27.6	25.6	88.1	65.4	53.6	2.0
53.0	29.6	25.6	94.4	68.6	56.3	4.1
55.0	29.6	25.6	94.4	68.6	56.3	4.1
58.0	29.6	26.1	98.5	74.9	62.2	3.5
60.0	29.6	26.1	98.5	74.9	62.2	3.5
63.0	29.6	26.1	103.8	78.1	65.4	3.5
65.0	30.3	26.1	107.1	84.5	69.6	4.3
68.0	30.3	26.1	111.2	87.6	72.8	4.3
70.0	30.3	26.1	111.2	87.6	72.8	4.3
75.0	30.3	26.1	115.8	94.0	79.1	4.3
80.0	30.3	26.1	123.9	100.3	85.8	4.3
85.0	30.3	26.1	127.0	103.5	88.6	4.3
90.0	30.3	26.1	133.3	109.9	95.0	4.3
95.0	30.3	26.1	136.6	113.0	98.2	4.3
100.0	30.3	26.1	143.0	119.4	104.5	4.3





L-Seat™ and LA-Seat™ - Stationary Seats

A selection of the stationary seats available in a wide variety of material face combinations.

L-Seat™ Size Chart (inches)

ShaftØ	A	B	ØC	ØD	ØE	F
1.000	0.625	0.375	2.020	1.625	1.100	0.250
1.125	0.625	0.375	2.145	1.750	1.225	0.250
1.187	0.625	0.375	2.207	1.812	1.287	0.250
1.250	0.625	0.375	2.270	1.875	1.350	0.250
1.375	0.625	0.375	2.395	2.000	1.475	0.250
1.500	0.625	0.375	2.645	2.250	1.600	0.250
1.625	0.625	0.375	2.770	2.375	1.725	0.250
1.750	0.625	0.375	3.020	2.500	1.850	0.250
1.875	0.625	0.375	3.145	2.625	1.975	0.250
2.000	0.625	0.375	3.270	2.750	2.100	0.250
2.125	0.625	0.375	3.520	2.875	2.225	0.250
2.250	0.625	0.375	3.645	3.000	2.350	0.250
2.375	0.625	0.375	3.770	3.125	2.475	0.250
2.500	0.625	0.375	4.020	3.250	2.600	0.250
2.625	0.625	0.375	4.145	3.375	2.725	0.250

LA-Seat™ Size Chart (inches)

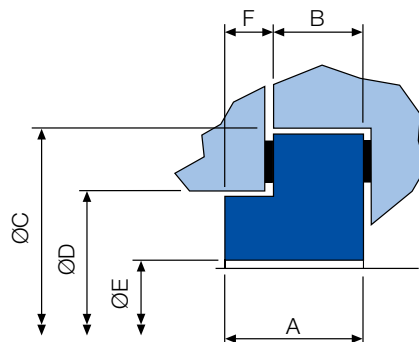
ShaftØ	A	B	ØC	ØD	ØE	F
0.625	0.500	0.250	1.640	1.250	0.730	0.250
0.750	0.500	0.250	1.765	1.375	0.850	0.250
0.875	0.500	0.250	1.890	1.500	0.950	0.250
0.937	0.625	0.375	1.960	1.562	1.045	0.250
1.000	0.625	0.375	2.110	1.625	1.100	0.250
1.125	0.625	0.375	2.240	1.750	1.225	0.250
1.187	0.625	0.375	2.457	1.813	1.287	0.250
1.250	0.625	0.375	2.360	1.875	1.360	0.250
1.375	0.625	0.375	2.430	2.000	1.478	0.250
1.500	0.625	0.375	2.740	2.250	1.600	0.250
1.625	0.625	0.375	2.860	2.375	1.725	0.250
1.750	0.625	0.375	3.110	2.500	1.850	0.250
1.875	0.625	0.375	3.240	2.625	1.950	0.250
2.000	0.625	0.375	3.490	2.750	2.100	0.250
2.125	0.625	0.375	3.740	2.875	2.225	0.250
2.250	0.625	0.375	3.860	3.000	2.350	0.250
2.375	0.625	0.375	3.900	3.067	2.475	0.250
2.500	0.625	0.375	4.110	3.250	2.600	0.250
2.625	0.625	0.375	4.240	3.375	2.725	0.250

L-Seat™ Size Chart (mm)

ShaftØ	A	B	ØC	ØD	ØE	F
25.0	15.9	9.5	51.3	41.3	27.9	6.4
28.0	15.9	9.5	54.5	44.5	31.1	6.4
30.0	15.9	9.5	56.1	46.0	32.7	6.4
32.0	15.9	9.5	57.7	47.6	34.3	6.4
35.0	15.9	9.5	60.8	50.8	37.5	6.4
38.0	15.9	9.5	67.2	57.2	40.6	6.4
40.0	15.9	9.5	70.4	60.3	43.8	6.4
43.0	15.9	9.5	76.7	63.5	47.6	6.4
45.0	15.9	9.5	79.9	66.7	50.2	6.4
50.0	15.9	9.5	83.1	69.9	53.3	6.4
55.0	15.9	9.5	92.6	76.2	59.7	6.4
60.0	15.9	9.5	95.8	79.4	62.9	6.4
65.0	15.9	9.5	105.3	85.7	69.2	6.4

LA-Seat™ Size Chart (mm)

ShaftØ	A	B	ØC	ØD	ØE	F
16.0	12.7	6.4	41.7	31.8	18.5	6.4
18.0	12.7	6.4	44.8	34.9	21.5	6.4
20.0	12.7	6.4	48.0	38.1	24.1	6.4
24.0	15.9	9.5	49.8	39.7	26.5	6.4
25.0	15.9	9.5	53.6	41.3	27.9	6.4
28.0	15.9	9.5	56.9	44.5	31.1	6.4
30.0	15.9	9.5	62.4	46.1	32.7	6.4
32.0	15.9	9.5	59.9	47.6	34.5	6.4
35.0	15.9	9.5	61.7	50.8	37.5	6.4
38.0	15.9	9.5	69.6	57.2	40.6	6.4
40.0	15.9	9.5	72.6	60.3	43.8	6.4
42.0	15.9	9.5	80.0	63.5	47.0	6.4
45.0	15.9	9.5	82.3	66.7	49.5	6.4
50.0	15.9	9.5	88.6	69.9	53.3	6.4
55.0	15.9	9.5	98.0	76.2	59.7	6.4
60.0	15.9	9.5	99.0	77.9	62.8	6.4
65.0	15.9	9.5	107.7	85.7	69.2	6.4



- L-Seats™ and LA-Seats™ listed are inventoried in Ceramic
- For larger Ceramic L-Seats™ and LA-Seats™; 2.750" - 4.000" (70mm - 100mm) please contact the AESSEAL® technical department
- Sizes and materials not listed are available to order

T-Seat™ & TS-Seat™ - Stationary Seats



T-Seat™ Size Chart (inches)

ShaftØ	A	B	ØC	ØD	ØE	F
0.625	0.687	0.312	1.702	1.313	0.665	0.187
0.750	0.687	0.312	1.827	1.437	0.790	0.187
0.875	0.687	0.312	1.952	1.563	0.915	0.187
0.937	0.687	0.312	2.077	1.687	1.040	0.187
1.000	0.687	0.312	2.077	1.687	1.040	0.187
1.125	1.062	0.437	2.327	1.813	1.165	0.312
1.187	1.062	0.437	2.337	1.929	1.221	0.312
1.250	1.062	0.437	2.515	2.000	1.290	0.312
1.375	1.062	0.437	2.640	2.125	1.415	0.312
1.437	1.062	0.437	2.765	2.250	1.540	0.312
1.500	1.062	0.437	2.765	2.250	1.540	0.312
1.625	1.062	0.437	3.015	2.500	1.685	0.312
1.750	1.062	0.437	3.140	2.625	1.810	0.312
1.875	1.062	0.437	3.265	2.750	1.935	0.312
2.000	1.062	0.437	3.390	2.875	2.060	0.312
2.125	1.312	0.562	3.765	3.125	2.185	0.375
2.250	1.312	0.562	3.890	3.250	2.310	0.375
2.375	1.312	0.562	4.015	3.375	2.435	0.375
2.500	1.312	0.562	4.140	3.500	2.560	0.375
2.625	1.312	0.562	4.265	3.625	2.685	0.375

TS-Seat™ Size Chart (inches)

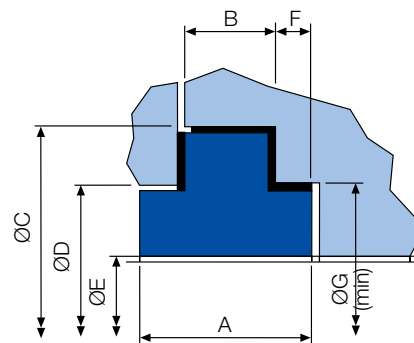
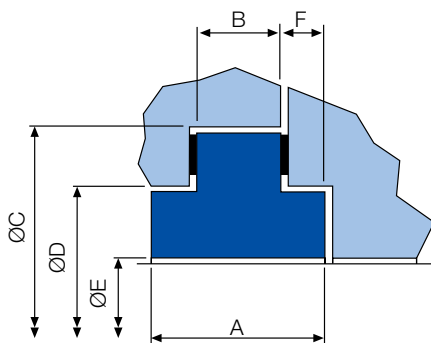
ShaftØ	A	B	ØC	ØD	ØE	F	ØG	Shroud
0.750	0.687	0.312	1.890	1.437	0.790	0.187	1.437	NO
0.875	0.687	0.312	2.000	1.563	0.915	0.187	1.563	NO
1.000	0.687	0.312	2.126	1.687	1.040	0.187	1.687	NO
1.125	1.062	0.362	2.560	1.813	1.165	0.262	2.000	YES
1.250	1.062	0.487	2.677	2.000	1.290	0.262	2.125	YES
1.375	1.062	0.487	2.795	2.125	1.415	0.262	2.250	YES
1.500	1.062	0.487	3.071	2.250	1.540	0.262	2.500	YES
1.625	1.062	0.487	3.199	2.500	1.685	0.262	2.625	YES
1.750	1.062	0.487	3.307	2.625	1.810	0.262	2.750	YES
1.875	1.062	0.487	3.425	2.750	1.935	0.262	2.875	YES
2.000	1.062	0.487	3.819	2.875	2.060	0.262	3.125	YES
2.125	1.312	0.612	3.937	3.125	2.185	0.325	3.250	YES
2.250	1.312	0.612	4.055	3.250	2.310	0.325	3.375	YES
2.375	1.312	0.612	4.173	3.375	2.435	0.325	3.500	YES
2.500	1.312	0.612	4.330	3.500	2.560	0.325	3.625	YES
2.625	1.312	0.612	4.449	3.625	2.685	0.325	3.750	YES

T-Seat™ Size Chart (mm)

ShaftØ	A	B	ØC	ØD	ØE	F
16	17.4	7.9	43.2	33.4	16.9	4.7
18	17.4	7.9	46.4	36.5	20.1	4.7
20	17.4	7.9	49.6	39.7	23.2	4.7
24	17.4	7.9	52.8	42.8	26.4	4.7
25	17.4	7.9	52.8	42.8	26.4	4.7
28	27.0	11.1	59.1	46.1	29.6	7.9
30	27.0	11.1	59.4	49.0	31.0	7.9
32	27.0	11.1	63.9	50.8	32.8	7.9
33	27.0	11.1	67.1	54.0	35.9	7.9
35	27.0	11.1	67.1	54.0	35.9	7.9
38	27.0	11.1	70.2	57.2	39.1	7.9
40	27.0	11.1	76.6	63.5	42.8	7.9
43	27.0	11.1	79.8	66.7	46.0	7.9
45	27.0	11.1	79.8	66.7	46.0	7.9
48	27.0	11.1	83.0	70.0	49.2	7.9
50	27.0	11.1	86.1	73.0	52.3	7.9
53	33.3	14.3	95.6	79.4	55.5	9.5
55	33.3	14.3	98.8	82.6	58.7	9.5
58	33.3	14.3	102.0	85.7	61.8	9.5
60	33.3	14.3	102.0	85.7	61.8	9.5
63	33.3	14.3	105.1	89.0	65.0	9.5
65	33.3	14.3	108.3	92.1	68.2	9.5

TS-Seat™ Size Chart (mm)

ShaftØ	A	B	ØC	ØD	ØE	F	ØG	Shroud
16	17.4	7.9	48.0	36.5	20.1	4.7	36.5	NO
18	17.4	7.9	48.0	36.5	20.1	4.7	36.5	NO
20	17.4	7.9	50.8	39.7	23.2	4.7	39.7	NO
24	17.4	9.2	54.0	42.8	26.4	6.7	42.8	NO
25	17.4	12.4	54.0	42.8	26.4	6.7	42.8	NO
28	27.0	12.4	65.0	46.1	29.6	6.7	50.8	YES
30	27.0	12.4	68.0	49.0	31.0	6.7	54.0	YES
32	27.0	12.4	68.0	50.8	32.8	6.7	54.0	YES
33	27.0	12.4	71.0	54.0	35.9	6.7	57.2	YES
35	27.0	12.4	71.0	54.0	35.9	6.7	57.2	YES
38	27.0	12.4	78.0	57.2	39.1	6.7	63.5	YES
40	27.0	12.4	81.3	63.5	42.8	8.3	66.7	YES
43	27.0	12.4	84.0	66.7	46.0	8.3	69.9	YES
45	27.0	12.4	84.0	66.7	46.0	8.3	69.9	YES
48	27.0	12.4	97.0	73.0	52.3	8.3	79.4	YES
50	27.0	12.4	97.0	73.0	52.3	8.3	79.4	YES
53	33.3	15.5	100.0	79.4	55.5	8.3	82.6	YES
55	33.3	15.5	103.0	82.6	58.7	8.3	85.7	YES
58	33.3	15.5	106.0	85.7	61.8	8.3	88.9	YES
60	33.3	15.5	106.0	85.7	61.8	8.3	88.9	YES
63	33.3	15.5	110.0	88.9	65.0	8.3	92.1	YES
65	33.3	15.5	113.0	92.1	68.2	8.3	95.3	YES



- Seats listed are inventoried in Ceramic, TS-Seats™ have 25% glass filled PTFE shroud (unless otherwise stated)
- For larger Ceramic T-Seats™ and TS-Seats™; 2.750" - 4.000" (70mm - 100mm), please contact the AESSEAL® technical department
- Sizes and materials not listed are available to order

	AESSEAL plc, Rotherham, UK	Tel: +44 (0) 1709 369966	rotherham@aesseal.com
	AESSEAL plc, Derby, UK	Tel: +44 (0) 1332 366738	derby@aesseal.co.uk
	AESSEAL plc, Middlesbrough, UK	Tel: +44 (0) 1642 245744	northops@aesseal.co.uk
	AESSEAL plc, Upminster, UK	Tel: +44 (0) 1708 256600	se@aesseal.co.uk
	AESSEAL plc, Pontypridd, UK	Tel: +44 (0) 1443 844330	ponty@aesseal.co.uk
	AESSEAL (MCK) Ltd, Lisburn, UK	Tel: +44 (0) 28 9266 9966	salesmck@aesseal.co.uk
	AESSEAL Ireland Ltd, Lisburn, UK	Tel: +44 (0) 28 9266 9966	sales.ireland@aesseal.co.uk
	AESSEAL Ireland Ltd, Co Cork, Eire	Tel: +353 (0) 214 633477	sales.ireland@aesseal.com
	AESSEAL Inc. Rockford, TN, USA	Tel: +1 865 531 0192	usa@aesseal.com
	AESSEAL Inc. Kingsport, TN, USA	Tel: +1 423 224 7682	kportadmin@aesseal.com
	AESSEAL Inc. Marion, IA, USA	Tel: +1 319 377 0170	midwest@aesseal.com
	AESSEAL Inc. Fairfield, ME, USA	Tel: +1 207 453 6915	neadmin@aesseal.com
	AESSEAL Inc. Longview, WA, USA	Tel: +1 360 414 0118	nwadmin@aesseal.com
	AESSEAL ALAA, Jubail, Saudi Arabia	Tel: +966 3 361 7461	info@aesseal.com.sa
	AESSEAL COJ sarl, Alger, Algeria	Tel: +213 (0)555 033247	contact@aescj-dz.com
	AESSEAL Argentina SA, Buenos Aires, Argentina	Tel: +54 11 4721 0875	aesseeal@aesseal.com.ar
	AESSEAL Australia Pty Ltd, Seventeen Mile Rocks, Australia	Tel: +61 7 32791144	customer.service@aesseal.net.au
	AESSEAL Benelux BV, Breda, Holland	Tel: +31 (0) 76 564 9292	seals@aesseal.nl
	AESSEAL Brasil Ltda, São Paulo, Brazil	Tel: +55 11 5891 5878	aesseealbrasil@aesseal.com.br
	AESSEAL Canada Inc, Surrey, B.C., Canada	Tel: +1 604 535 7512	canada@aesseal.com
	AESSEAL Caribbean Ltd, Trinidad W.I	Tel: +1 868 483 7881	caribbean@aesseal.com
	AESSEAL Chile SA, Providencia Santiago, Chile	Tel: +56 2 2343022	aesseeal@aesseal.cl
	AESSEAL China Ltd, Ningbo, China	Tel: +86 (0) 574 8823 2888	service@aesseal.com.cn
	AESSEAL China Ltd, Shanghai, China	Tel: +86 (0) 21 60761081	service@aesseal.com.cn
	AESSEAL China Ltd, Nanjing, China	Tel: +86 (0) 25 68139838	service@aesseal.com.cn
	AESSEAL China Ltd, Dalian, China	Tel: +86 (0) 411 83729851	service@aesseal.com.cn
	AESSEAL Colombia S.A., Bogota, Colombia	Tel: +57 (1) 634 9095	info@aesseal.com.co
	AESSEAL Czech sro, Brno, Czech Republic	Tel: +420 543 212 489	aesseeal@aesseal.cz
	AESSEAL Danmark, A/S, Køge, Denmark	Tel: +45 56 64 14 00	mail@aesseal.dk
	AESSEAL Deutschland GmbH, Kronau, Germany	Tel: +49 (0) 7253 8090	info@aesseal.de
	AESSEAL Deutschland GmbH, Sauerlach, Germany	Tel: +49 (0) 8104 639607	info@aesseal.de
	AESSEAL Finland OY, Muurame, Finland	Tel: +358 1433 84500	aesseeal@aesseal.fi
	AESSEAL France SAS, Nieppe, France	Tel: +33 320 172850	contact@aesseal.fr
	AESSEAL India Pvt. Ltd, Pune, India	Tel: +91 2113 302222	aesseeal@aesseal.in
	AESSEAL India Pvt. Ltd, Chennai, India	Tel: +91 44 2481 7786	chennai@aesseal.in
	AESSEAL Coldweld Pvt. Ltd, Vasai (East), Thane, India	Tel: +91 250 645 6884	mail@aescoldweld.com
	AESSEAL Italia Srl, Gallarate, Italy	Tel: +39 0331 799 952	info@aesseal.it
	AESSEAL Malaysia, SDN BHD, Selangor, Malaysia	Tel: +603 806 21233	aesseeal@tm.net.my
	AESSEAL Malaysia, SDN BHD, Pahang, Malaysia	Tel: +609 583 6133	aesseeal@tm.net.my
	AESSEAL Malaysia, SDN BHD, Johor, Malaysia	Tel: +607 388 8323	aesseeal@tm.net.my
	AESSEAL Mexico, S de RL de CV, Mexico City, Mexico	Tel: +52 5553845070	info@aesseealmx.com
	AESSEAL Middle East FZE, Dubai, U.A.E.	Tel: +9714 884 9301	sales@aesseeal.ae
	AESSEAL Norway AS, Oslo, Norway	Tel: +47 2273 6849	info@aesseeal.no
	AESSEAL Polska Sp. z o.o. Bielsko-Biala, Poland	Tel: +48 33 818 4135	aesseeal@aesseeal.com.pl
	AESSEAL Univeda LDA, Lisbon, Portugal	Tel: +351 217 969212	geral@aesseeal.pt
	AESSEAL Russia, Koroliov City, Moscow, Russia	Tel: +7 495 777 4011	info@aesseeal.ru
	AESSEAL Pty Ltd, Durban, South Africa	Tel: +27 (0) 31 903 5438	durban@aesseeal.co.za
	AESSEAL Pty Ltd, Johannesburg, South Africa	Tel: +27 (0) 11 466 6500	admin@aesseeal.co.za
	AESSEAL Ibérica SL, Tarragona, Spain	Tel: +34 977 55 43 30	info@aesseeal.es
	AESSEAL Sweden AB, Stockholm, Sweden	Tel: +46 (0) 8 55602870	kundservice@aesseeal.se
	AESSEAL Vo Lee Ltd, Kaohsiung County, Taiwan	Tel: +886 7 371 3990	aesseeal.volee@msa.hinet.net
	AESSEAL Turkiye, Istanbul, Turkey	Tel: +90 (0) 216 304 0237	info@aesseeal.com.tr
	AESSEAL Uruguay, Montevideo, Uruguay	Tel: +598 2 924 7252	sealtecp@aesseeal.com.uy

This document is designed to provide dimensional information and an indication of availability. For further information and safe operating limits contact our technical specialists at the locations below.



Use double mechanical seals with hazardous products.

Always take safety precautions:

WARNING

- Guard your equipment
- Wear protective clothing

UK Sales & Technical advice:
 AESSEAL plc
 Mill Close
 Bradmarsh Business Park
 Rotherham
 S60 1BZ
 United Kingdom

Tel: +44 (0) 1709 369966
 Fax: +44 (0) 1709 720788
 E-mail: seals@aesseeal.com

Distributed by:

'Our purpose is to give our customers such exceptional service that they need never consider alternative sources of supply.'

www.aesseeal.com

USA Sales & Technical advice:
 AESSEAL Inc.
 355 Dunavant Drive
 Rockford
 TN. 37853
 USA

Tel: +1 865 531 0192
 Fax: +1 865 531 0571
 E-mail: usa@aesseeal.com

Important: Since the conditions and methods of use of this product are beyond our control, AESSEAL plc expressly disclaims any and all liability resulting or arising from any use of this product or reliance on any information contained in this document - AESSEAL plc standard conditions of sale apply. All sizes are subject to manufacturing tolerances. We reserve the right to modify specifications at any time. AESSEAL® is a Registered Trademark of AESSEAL plc, AESSEAL plc recognizes all trademarks and trademark names as the property of their owners.